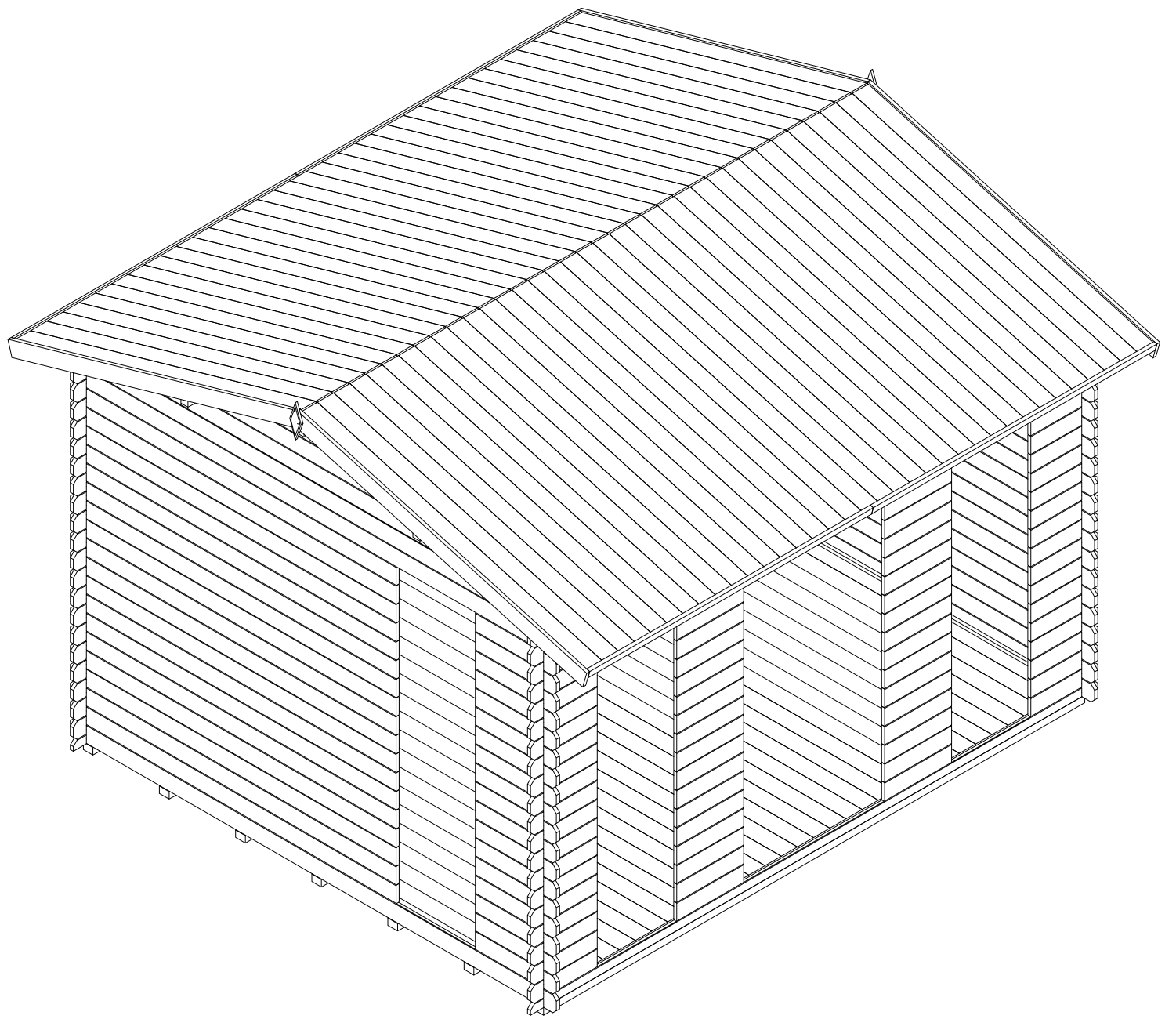
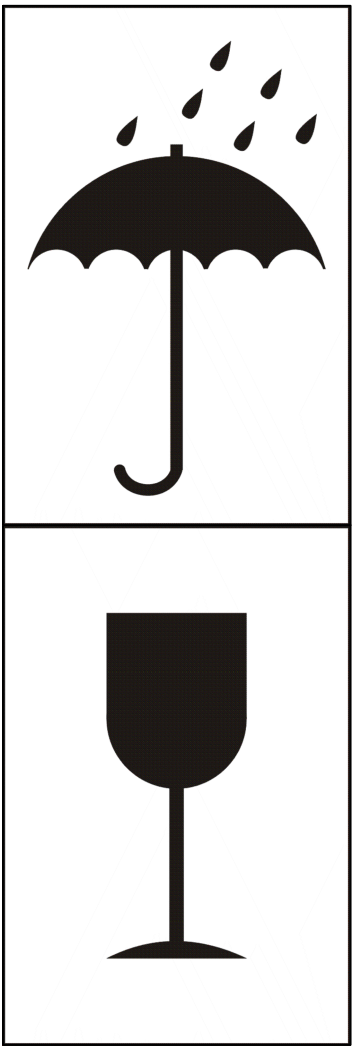
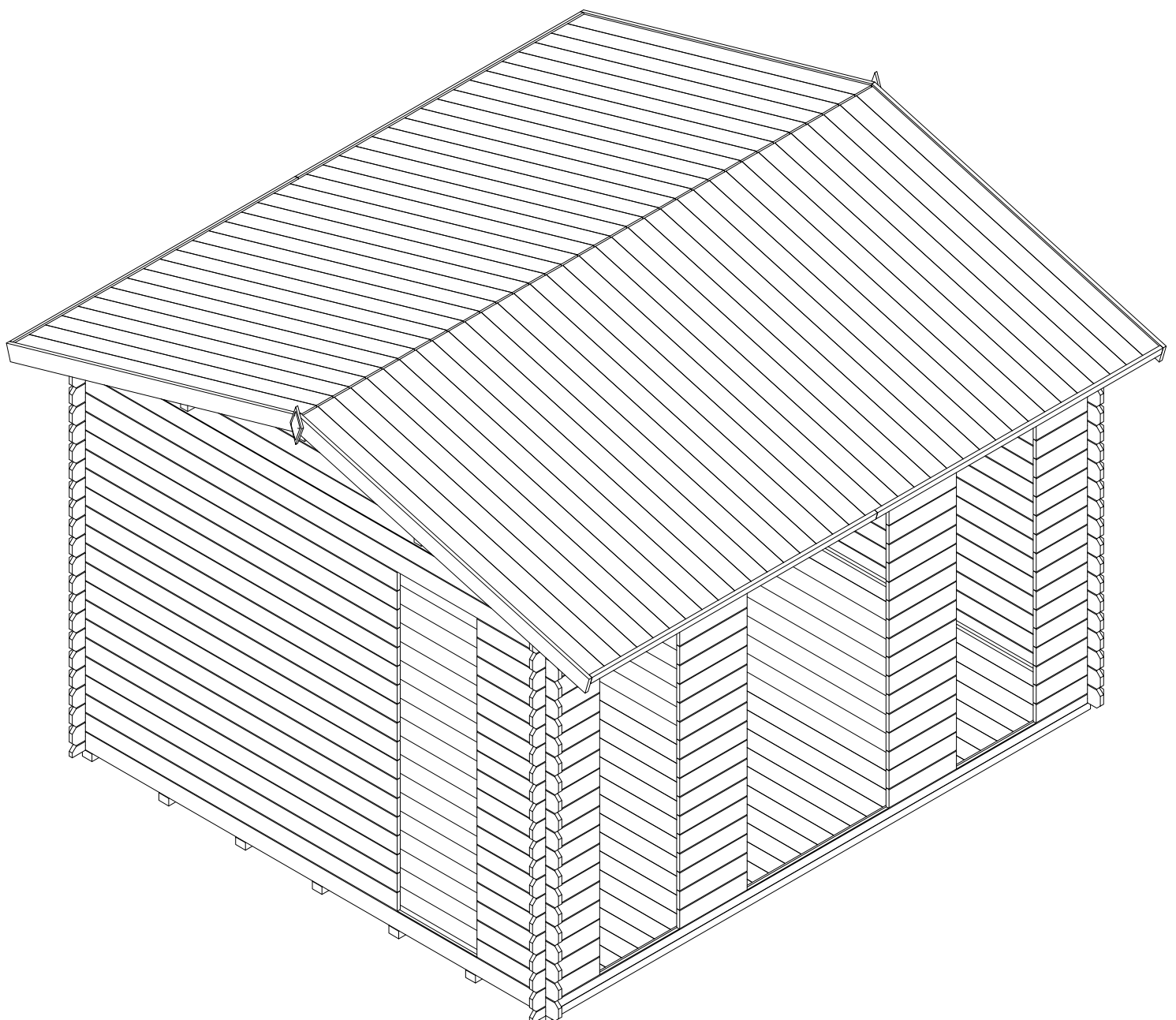
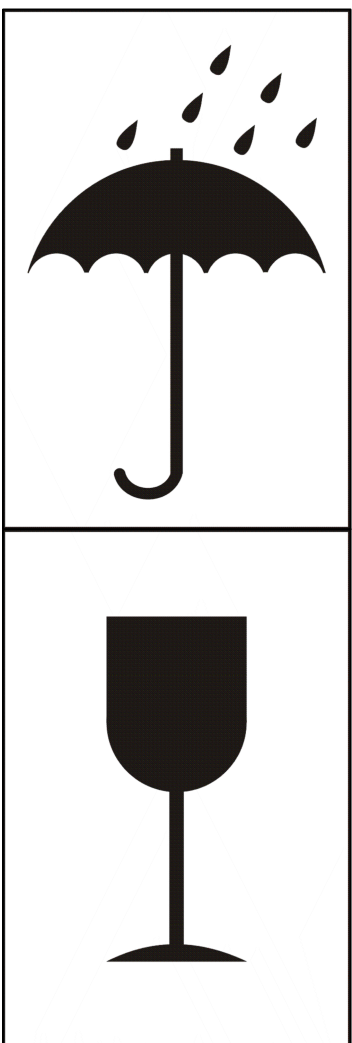


MM 018 3.5x3m 19mm



New Log 3.5x3m 19mm



New Log 3.5x3m 19mm

MM 018 3.5x3

350x300 cm

19 mm 2015.06.03

BE 2015

-Date-

Degree <74°		Dimensions, mm			Pos.	Quantity
		A	B	C		
		2840	40	55/60	1	2
		3220	40	55/60	1a	7
		2792	19	100/86	2	33/39
			19	24	3	~ 25 meters
		3500	19	50	4	2
		412	19	100	5	36
		413	19	100	6	36
		3500	19	100	7	1
		3500	19	100	8	21
		3500	19	50	9	2
		3000	19	100	10	22
		2010	19	100	11	18
		500	19	100	12	18
		3500	40	110	13	2
		3500	40	110	14	1
		1830	19	100/86	15	70/82
		1857	19	90	16	4
		1750	19	40	17	4
		200	100		18	2
		1857	19	40	19	4
		3000	494		F-2,4	2
		870	1850		20	1
		490	1800		21	3
		1880	19	40	22	4
		300	19	100	F	6 Banging blocks
		1880	19	40	23	6

-Packing No.-

-Name.lastname-

-Signature-

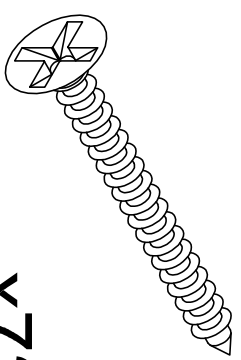
Log MM 018

350x300 cm

BE 2015

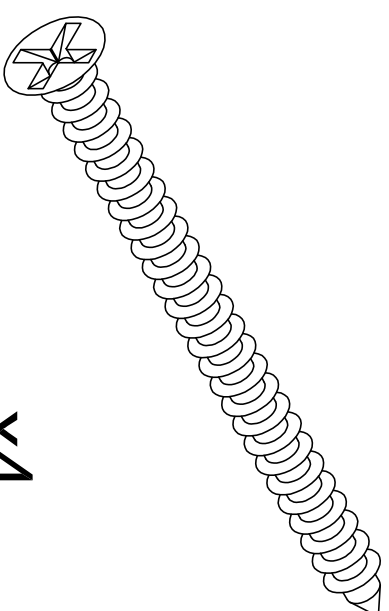
19 mm 2015.06.05

3.5x35 mm



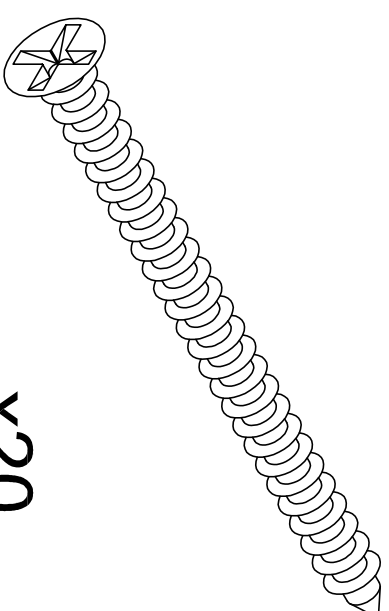
X72

5x70 mm



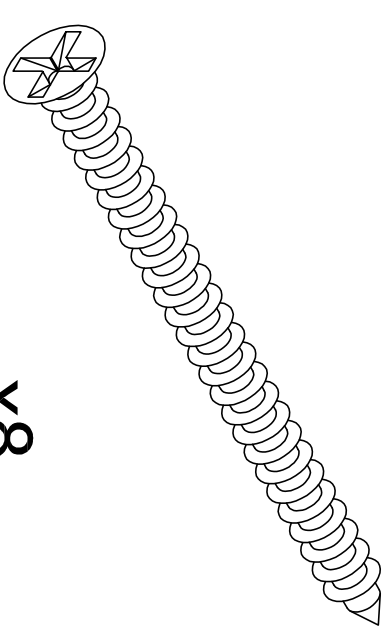
X4

5x100 mm



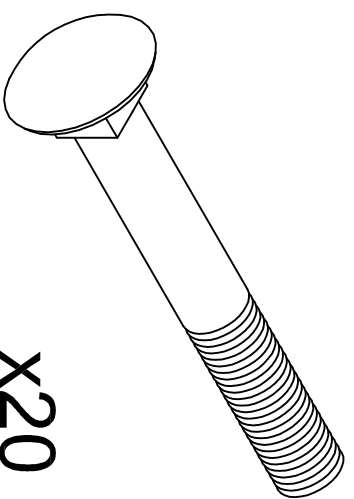
X20

5x120 mm



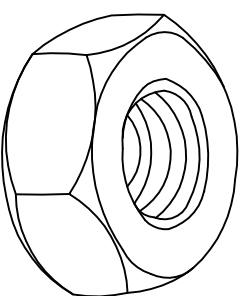
X8

8x60 mm



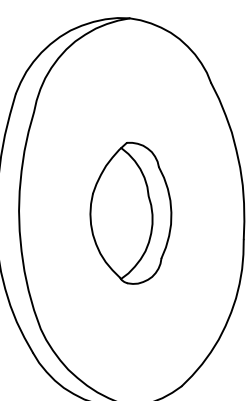
X20

M8



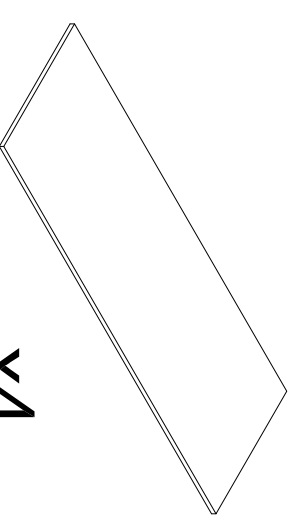
X20

M8

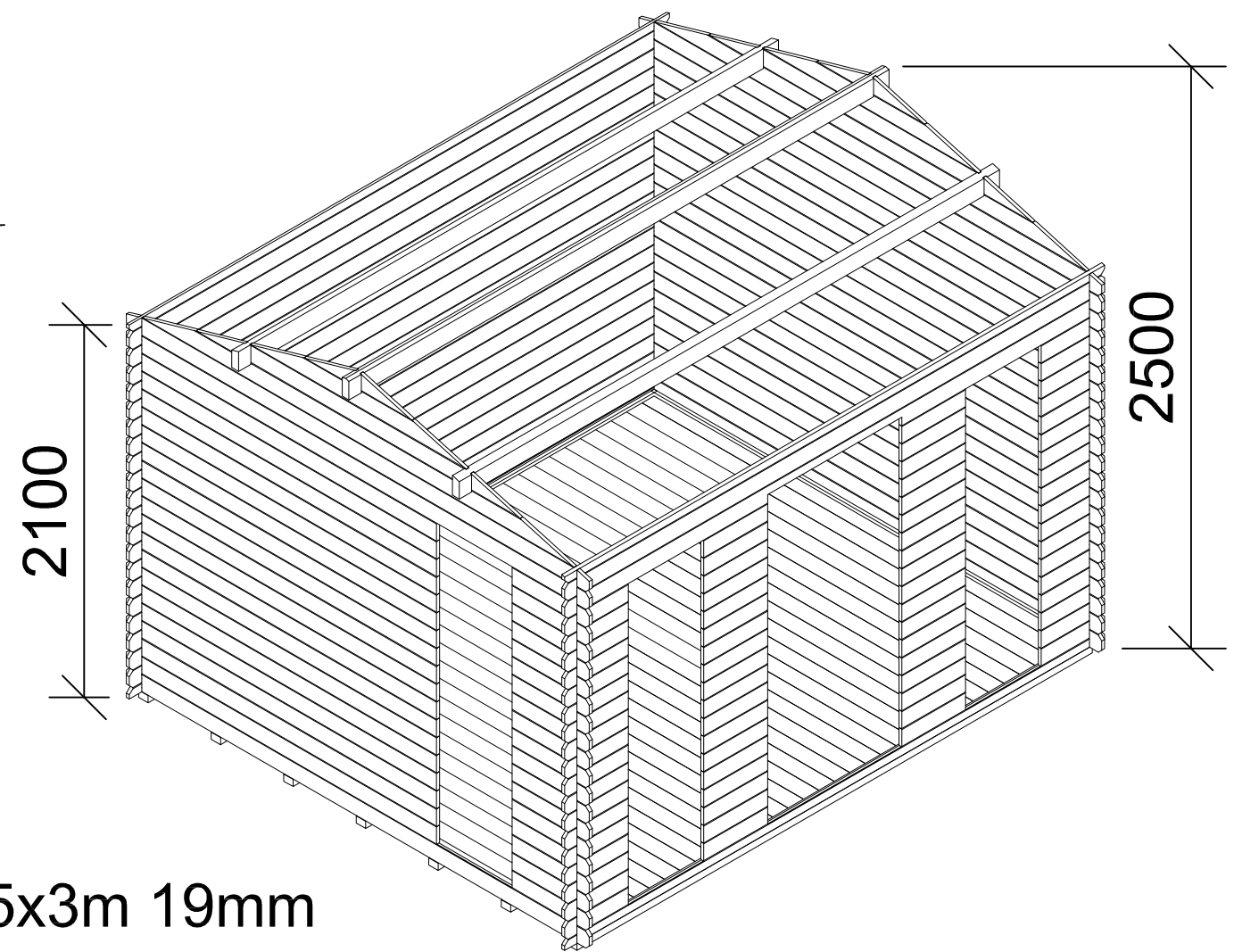
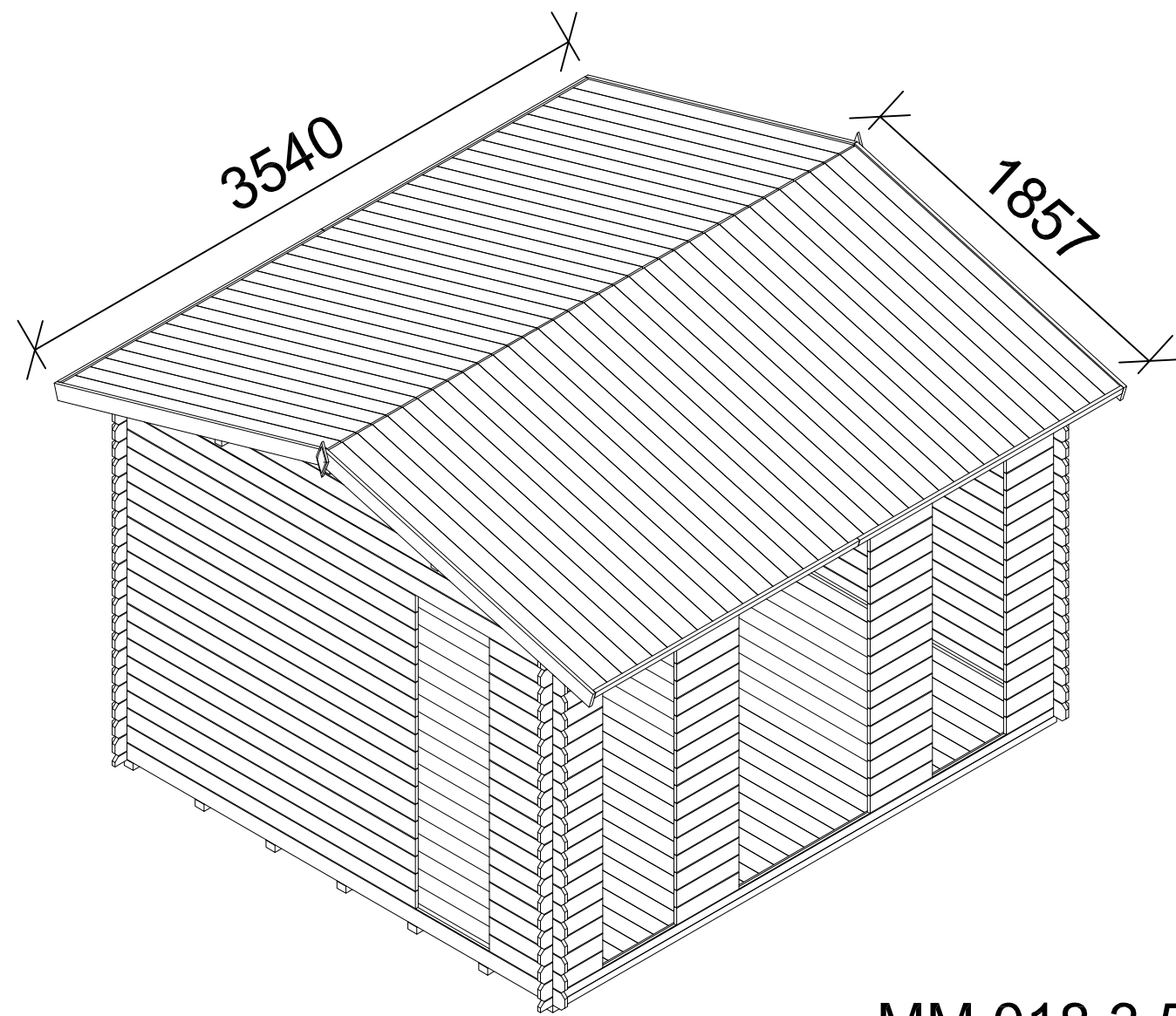


X20

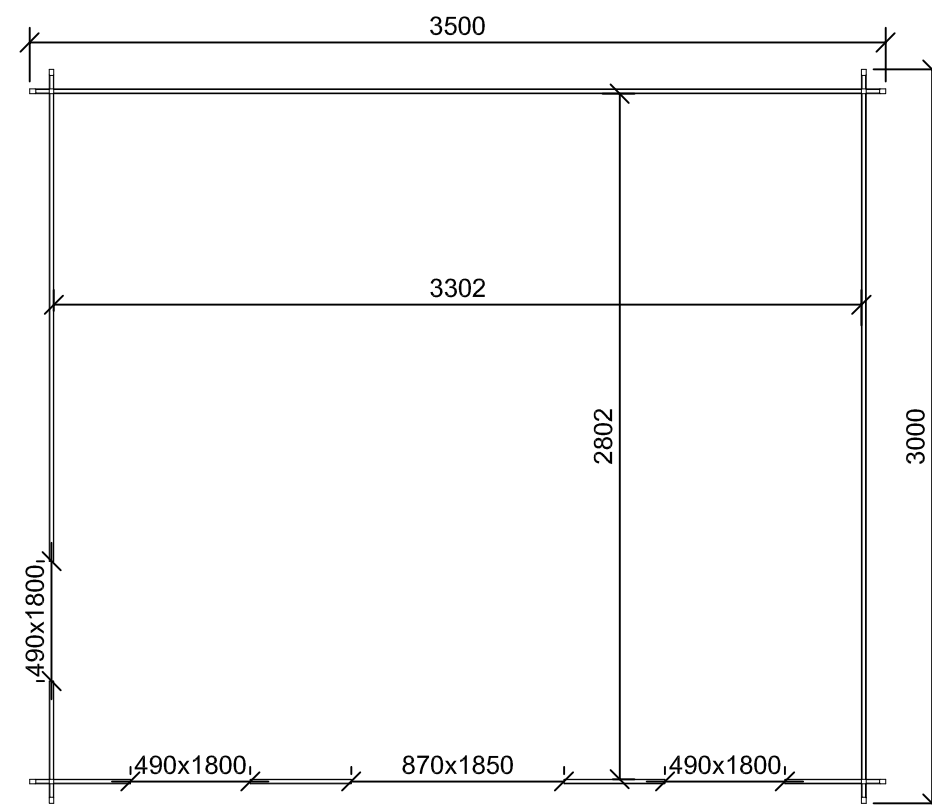
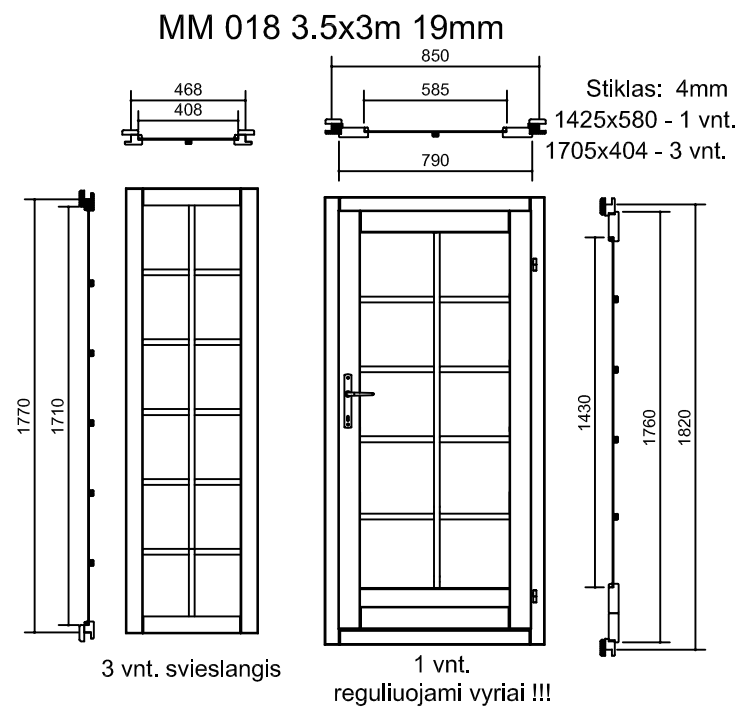
3 mm



X4

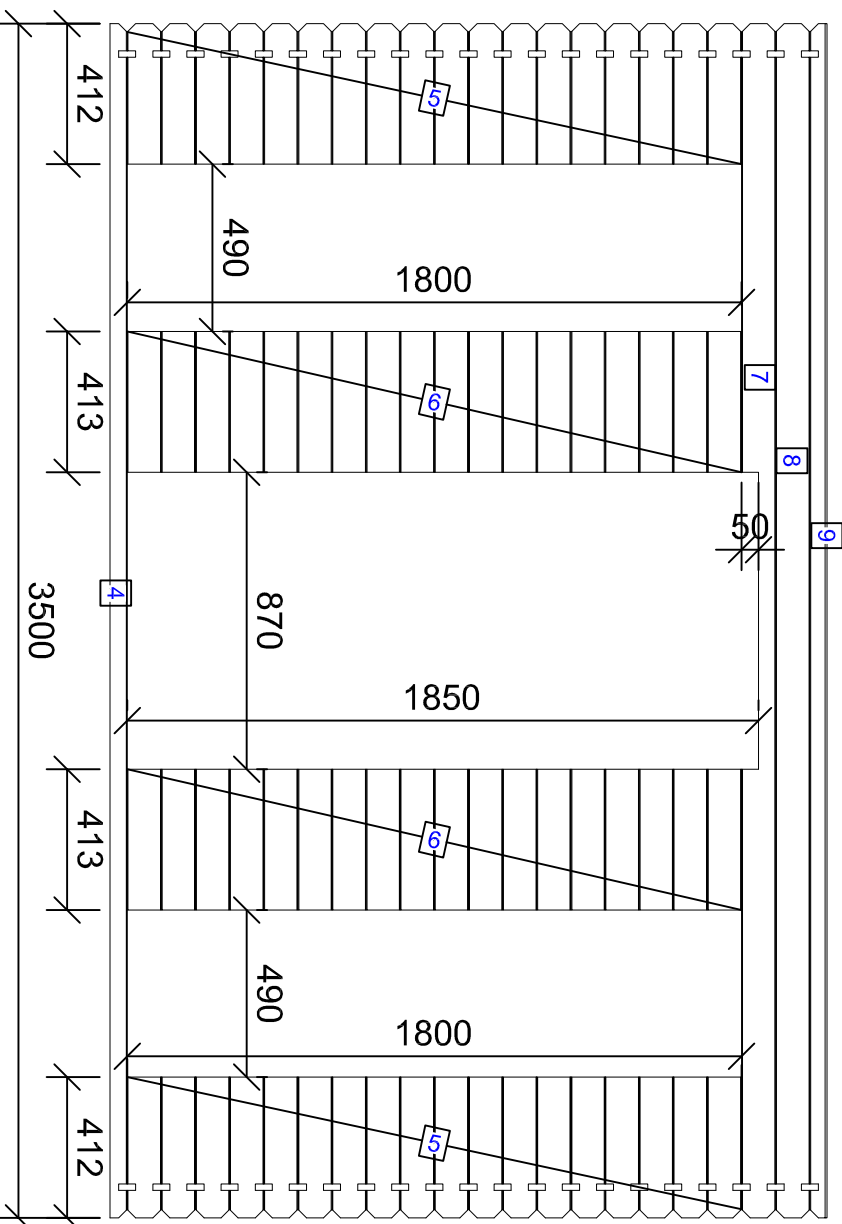


MM 018 3.5x3m 19mm



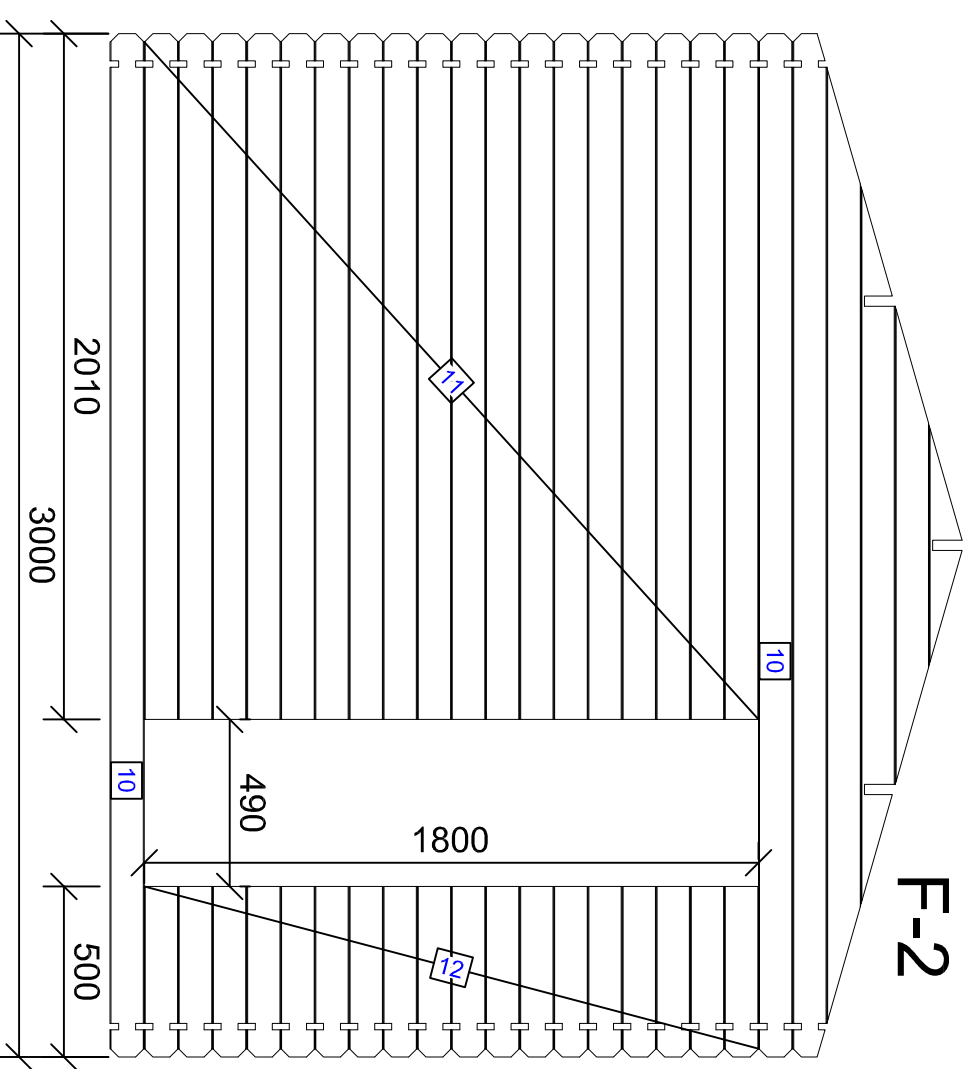
MM 018 3.5x3 19 mm

F-1



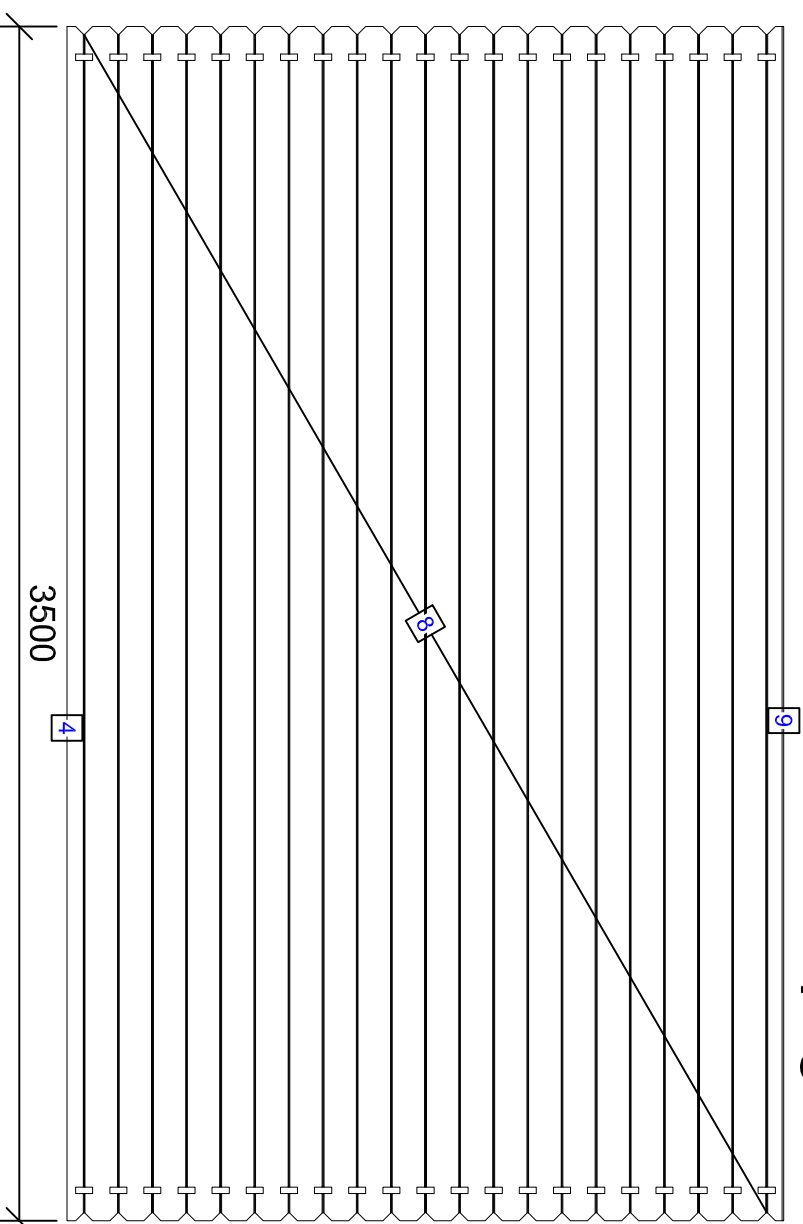
MM 018 3.5x3 19 mm

F-2



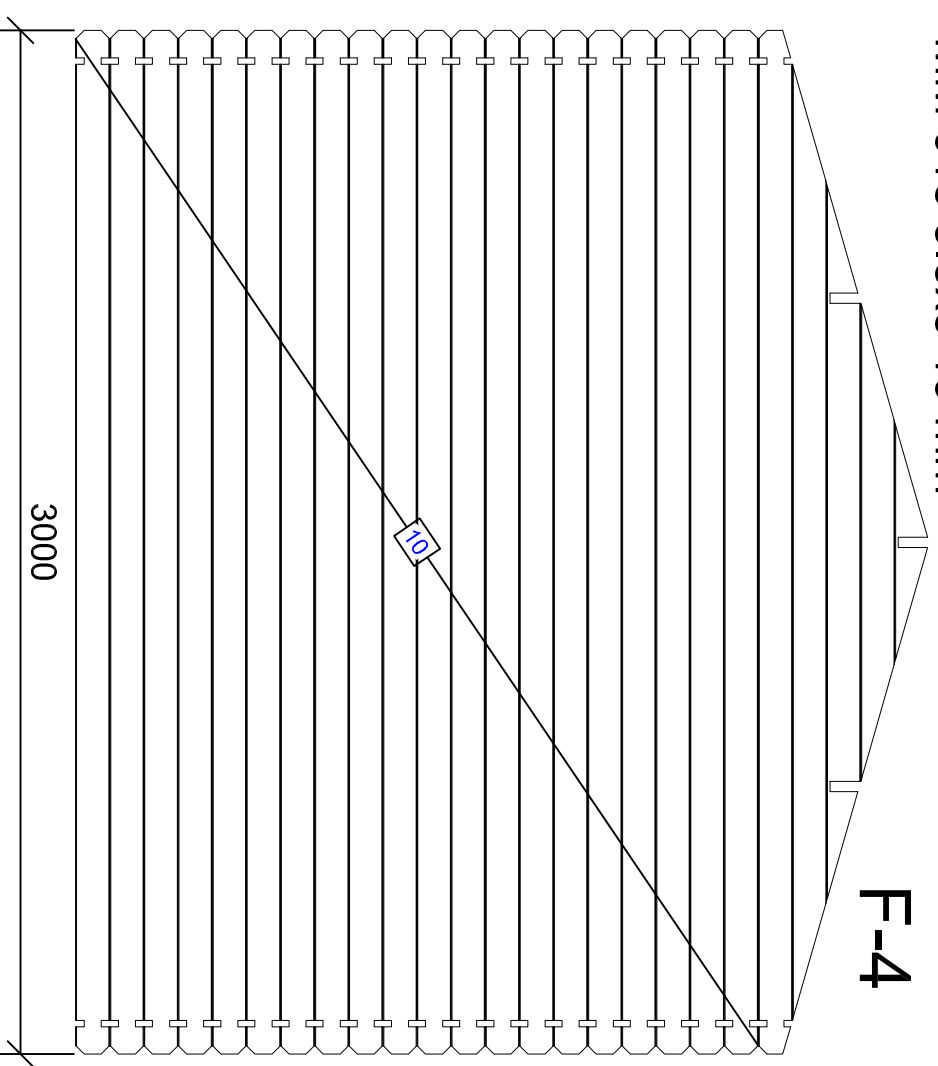
MM 018 3.5x3 19 mm

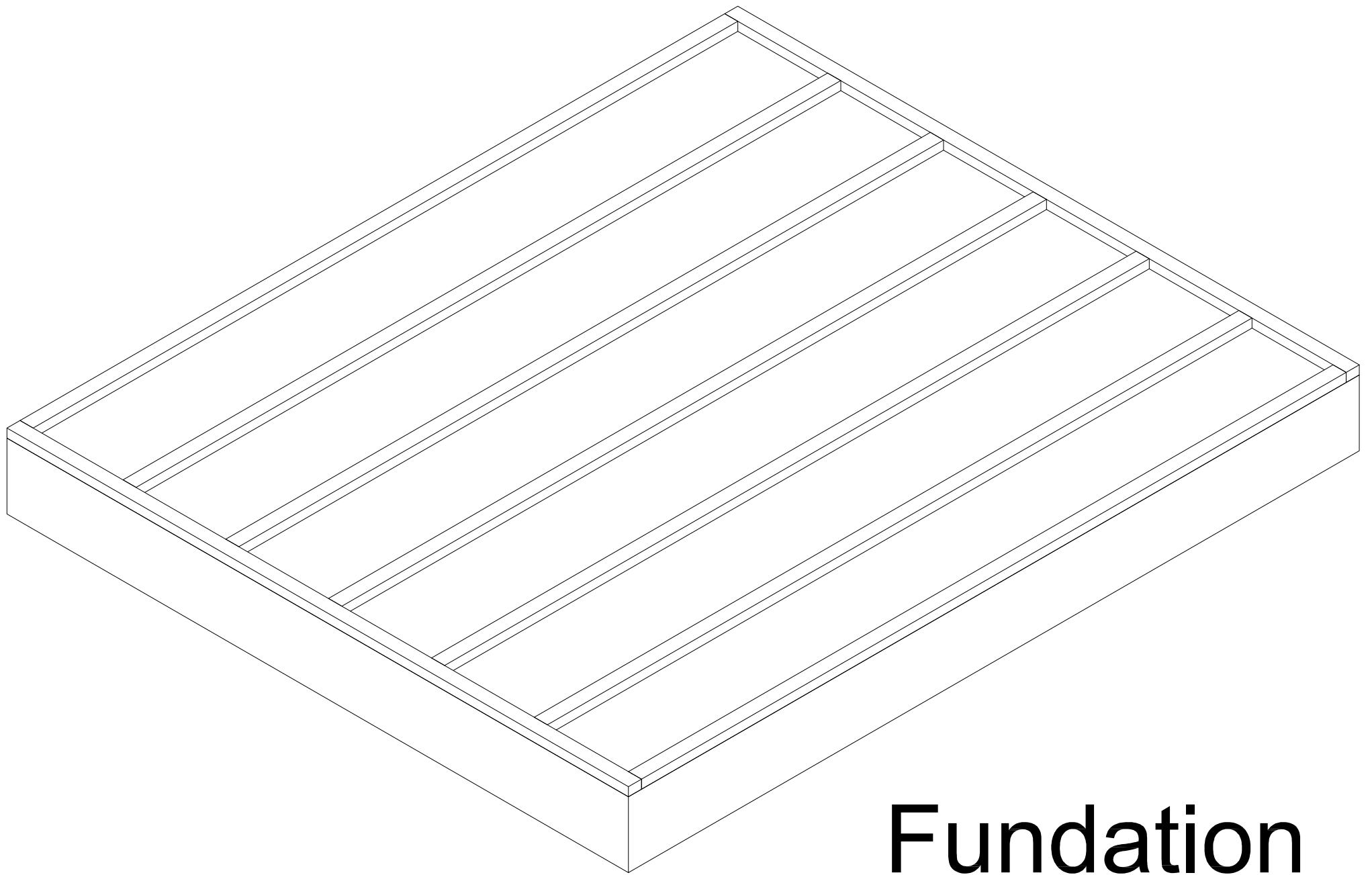
F-3



MM 018 3.5x3 19 mm

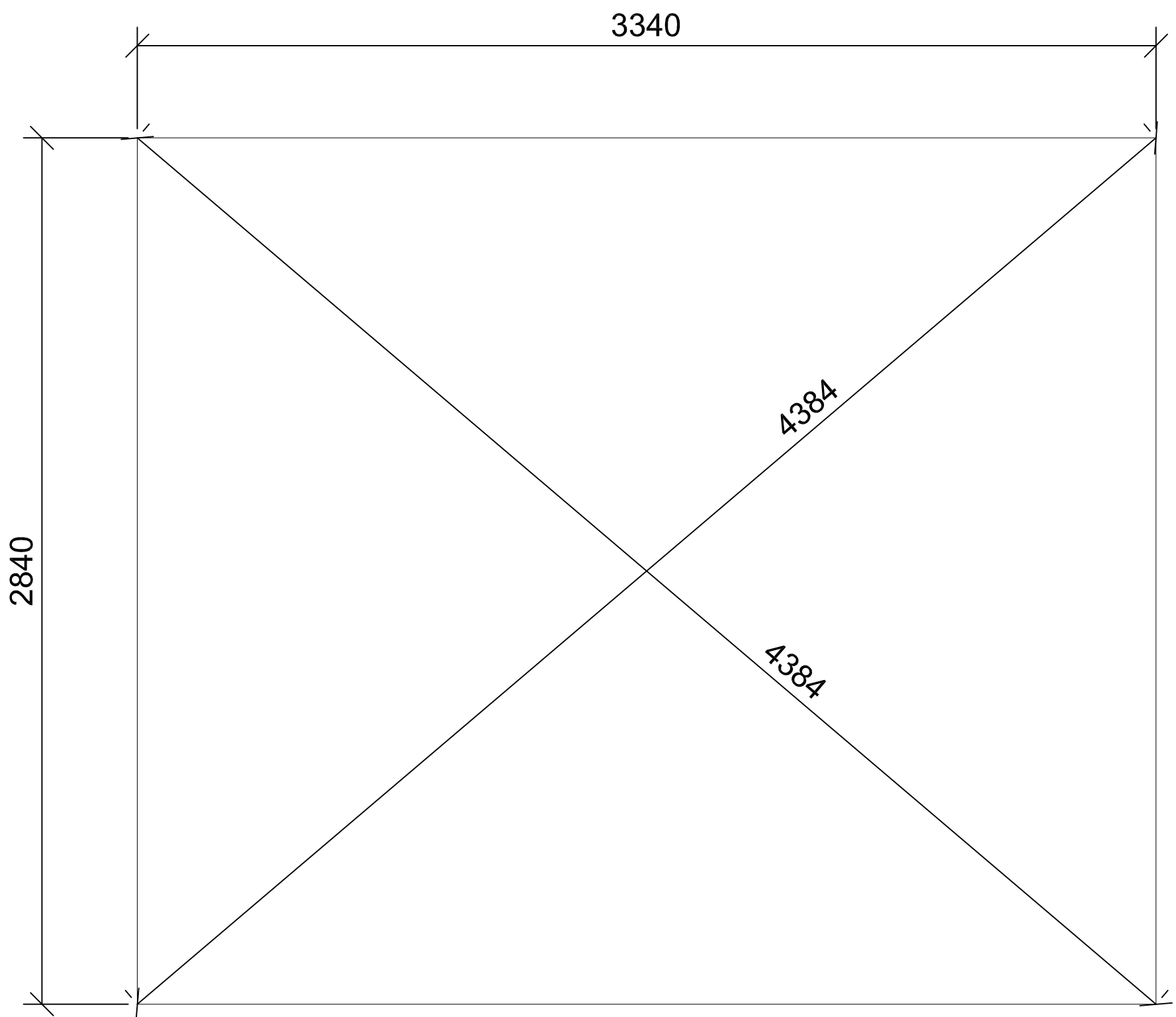
F-4

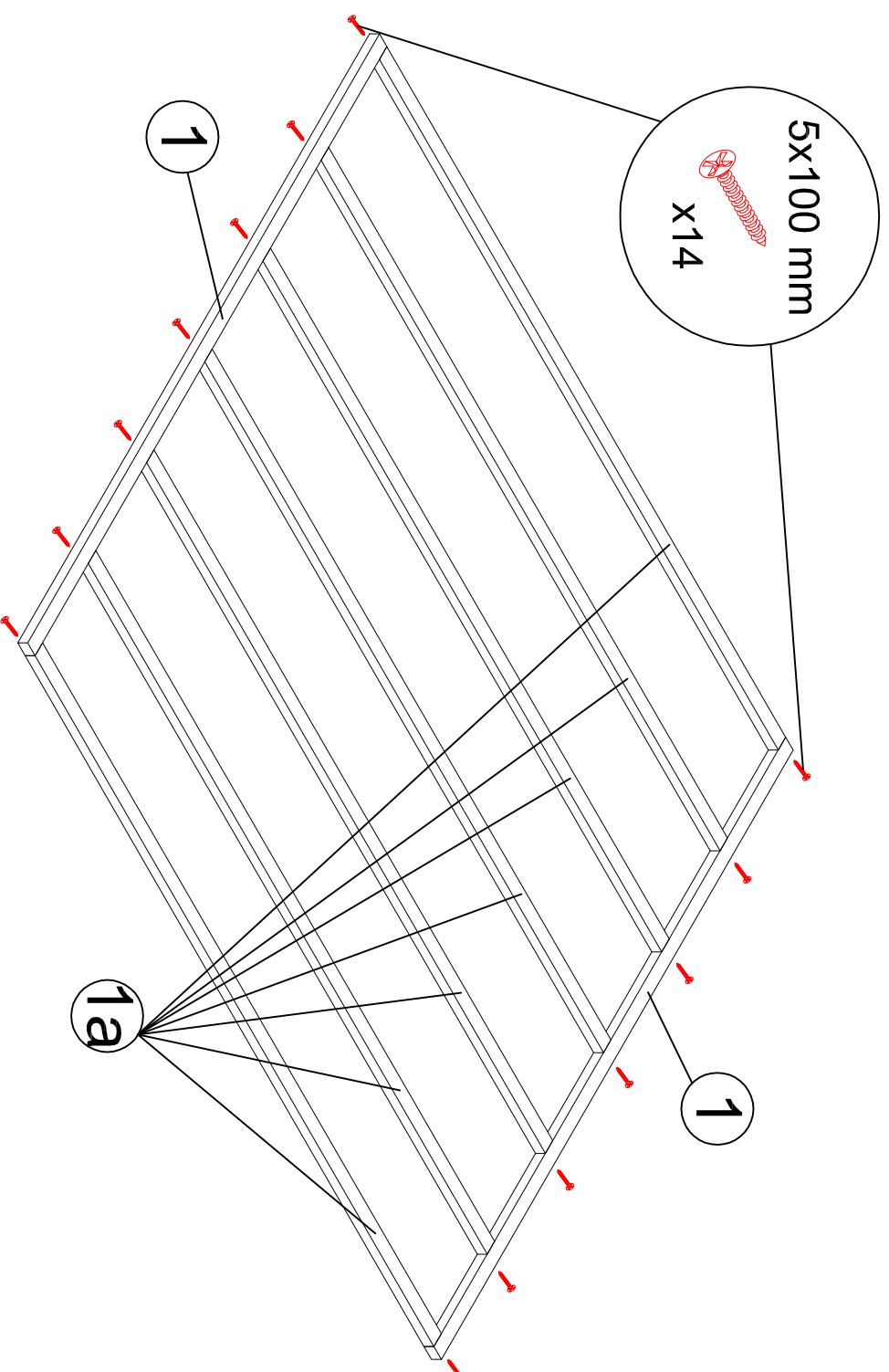
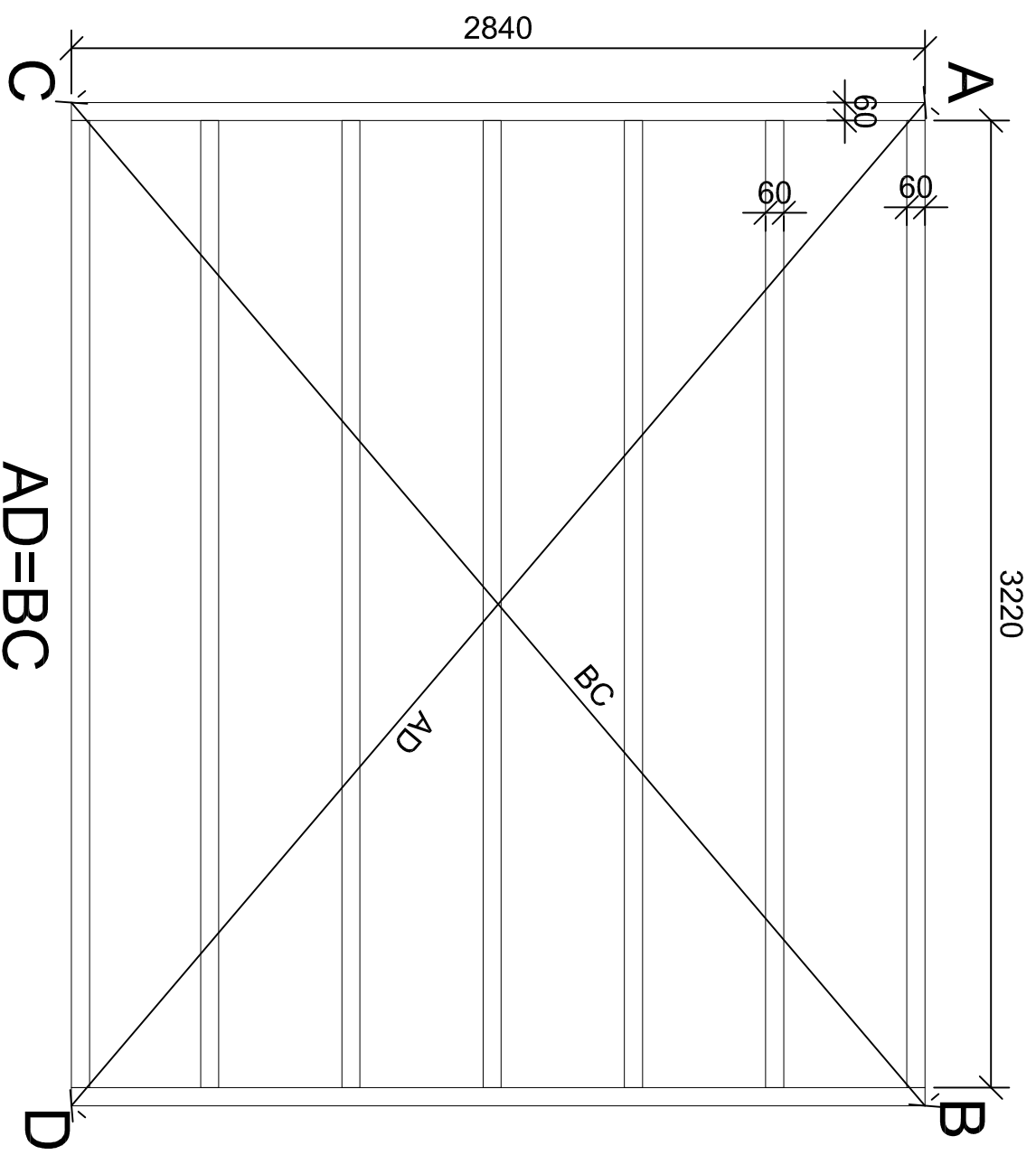




Foundation

MM 018 3.5x3 19 mm



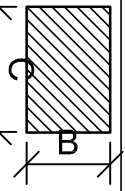
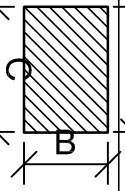


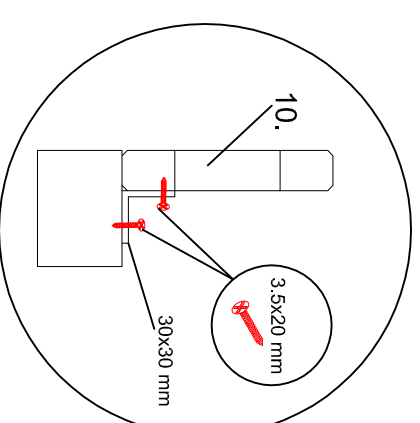
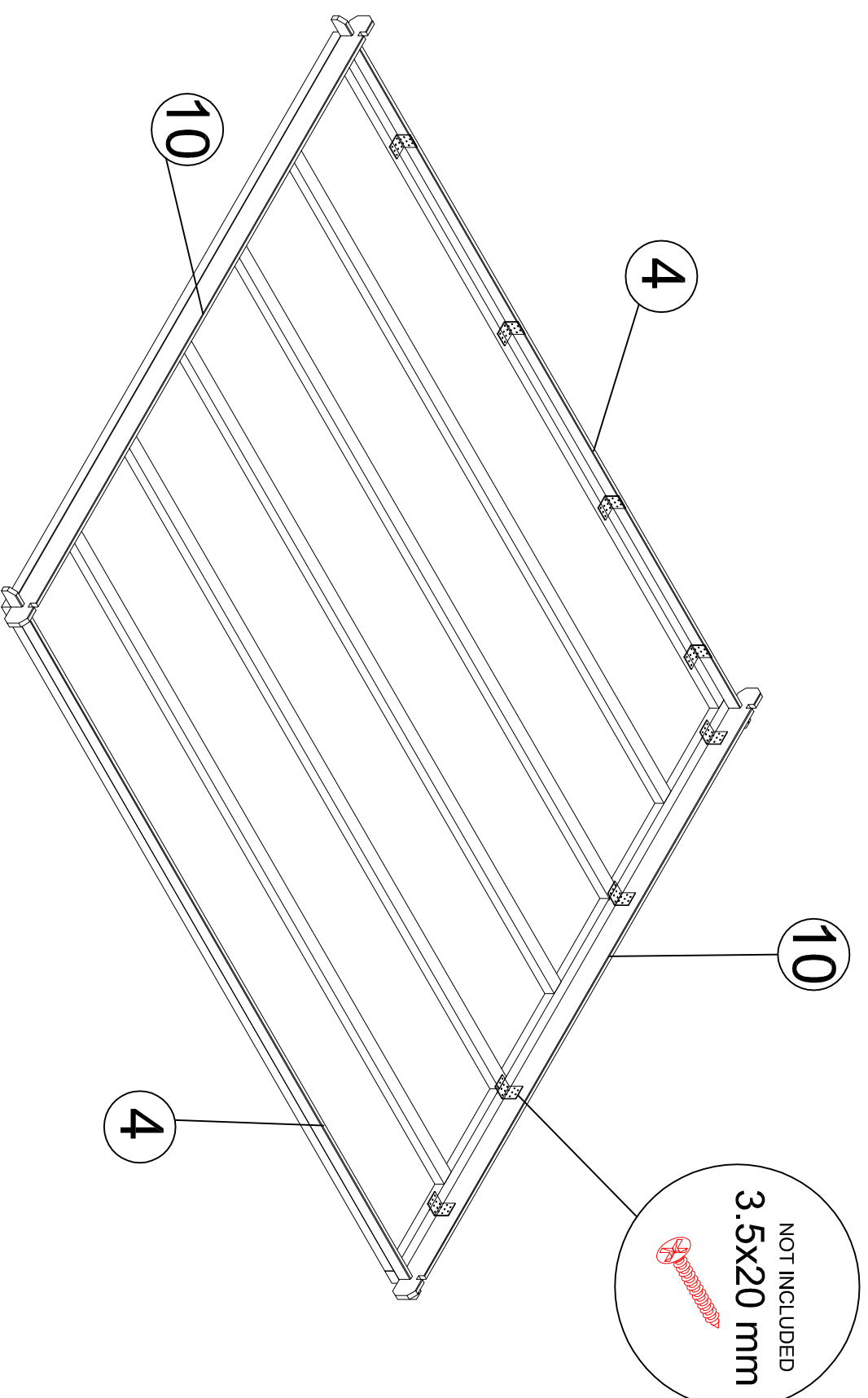
MM 018 3.5X3

350x300 cm
19 mm 2015.06.03

BE 2015

Дата:

Degree <math><74^\circ</math>	Dimensions, mm			Pos.	Quantity	
	A	B	C			
	2840	40	55/60	1	2	
	3220	40	55/60	1a	7	



MM 018 3.5x3

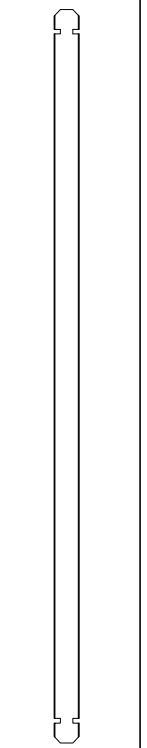
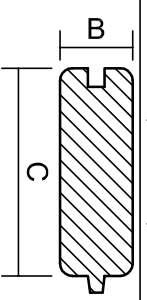
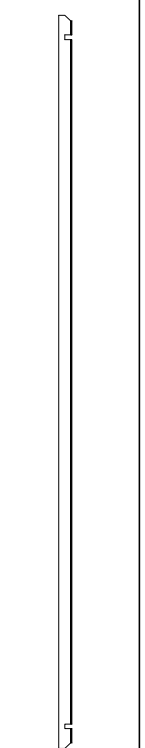
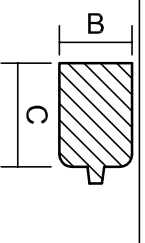
350x300 cm
19 mm 2015.06.03

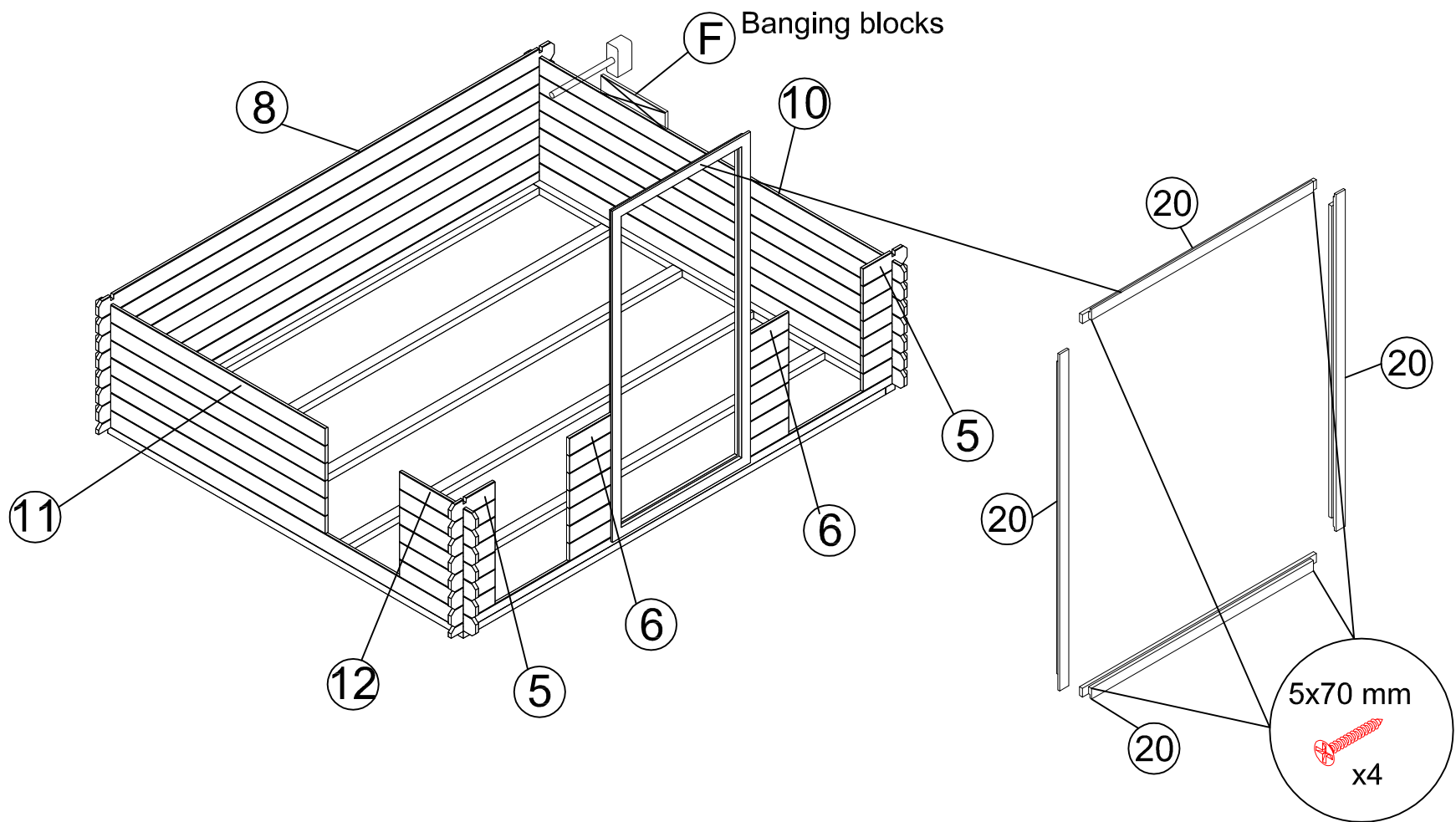
BE 2015

İtalya

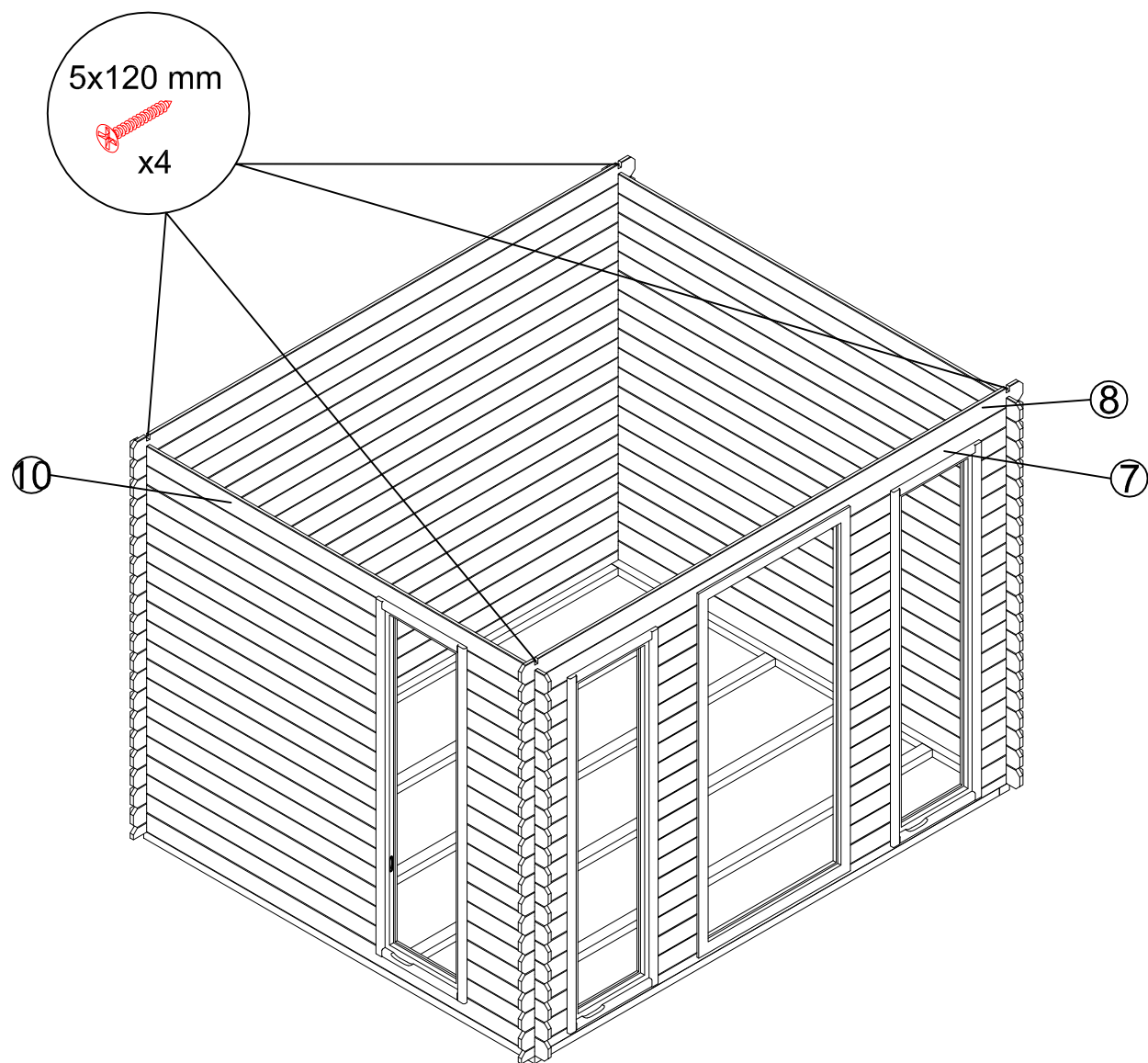
Degree <math><74^\circ</math>

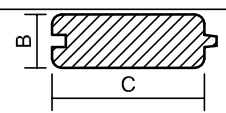
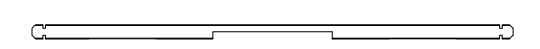
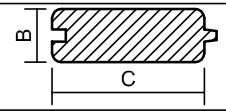
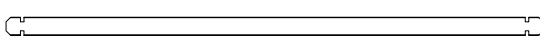
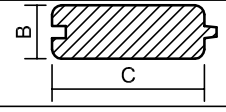
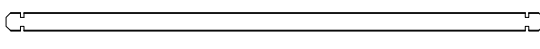
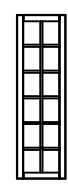
Dimensions, mm	A			Pos.	Quantity
	B	C			
3500	19	50	4	2	
3000	19	100	10	22	

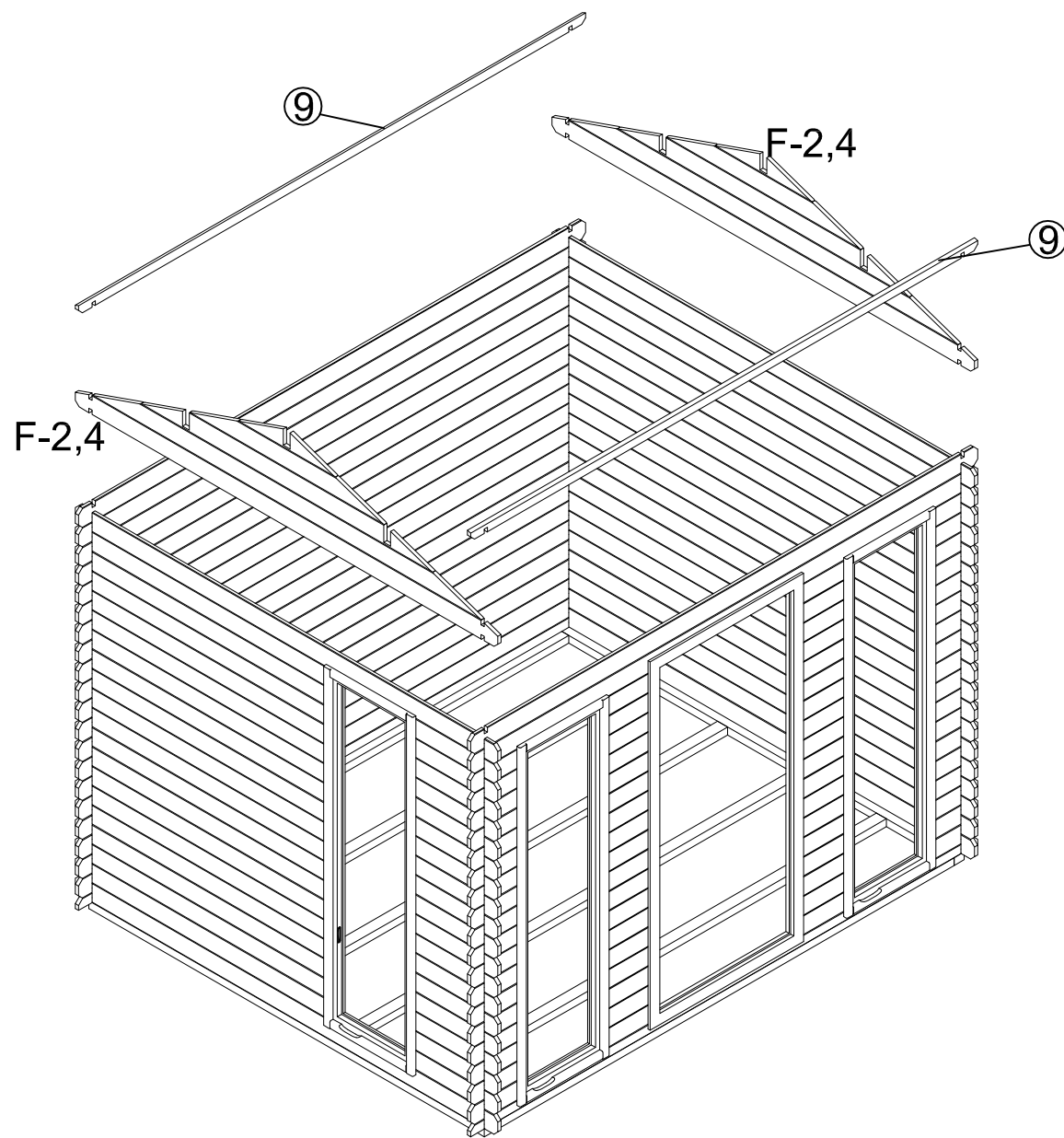


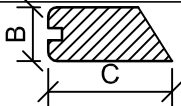
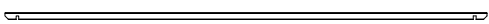
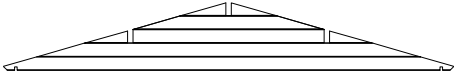


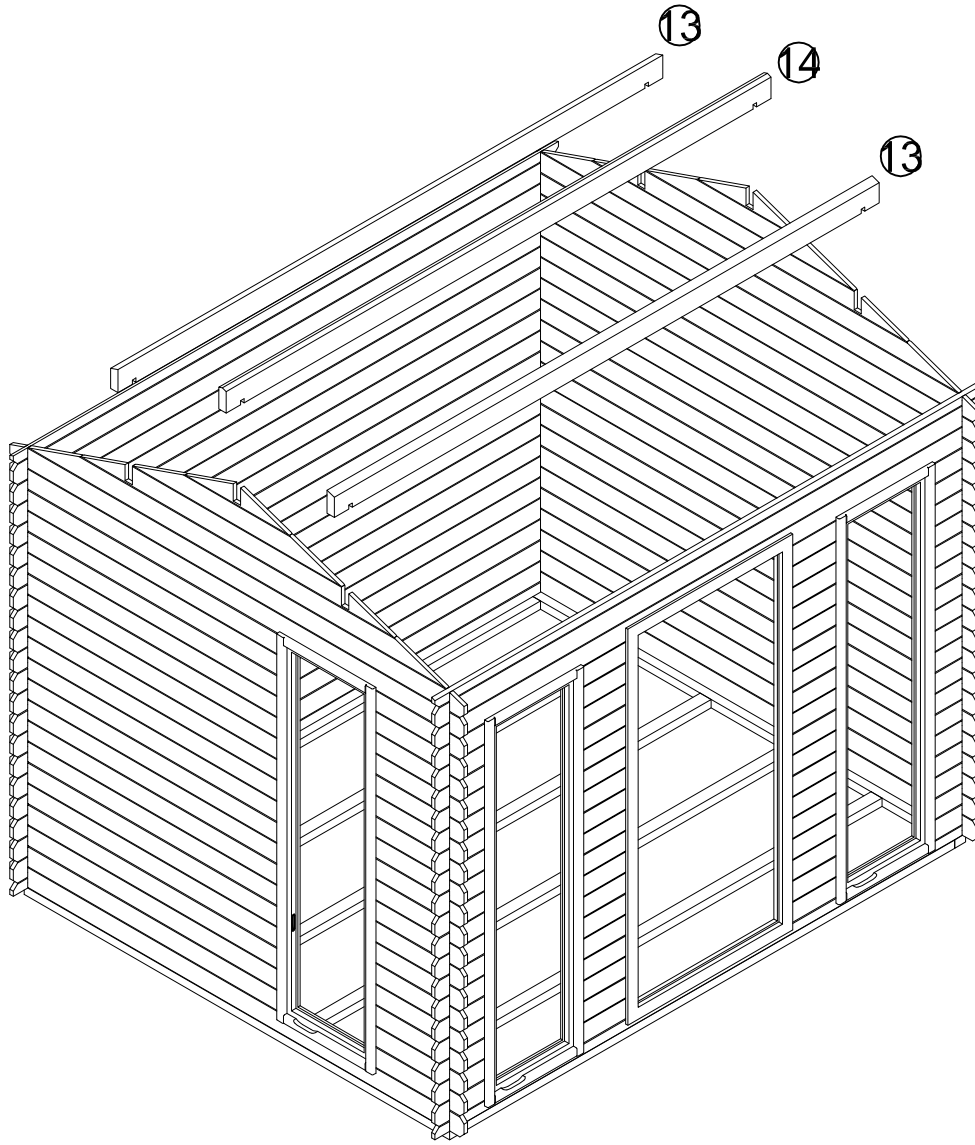
MM 018 3.5x3		350x300 cm			BE 2015	-Date-
		19 mm 2015.06.03				
Degree <74°		Dimensions, mm			Pos.	Quantity
		A	B	C		
		412	19	100	5	36
		413	19	100	6	36
		3500	19	100	8	21
		3000	19	100	10	22
		2010	19	100	11	18
		500	19	100	12	18
		870	1850		20	1
		300	19	100	F	6 Banging blocks

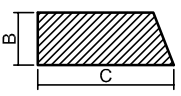

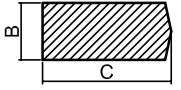
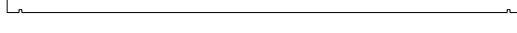


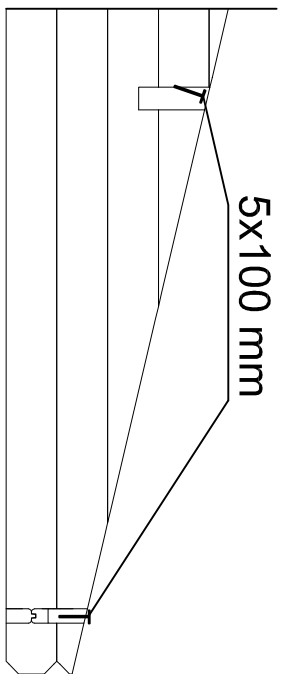
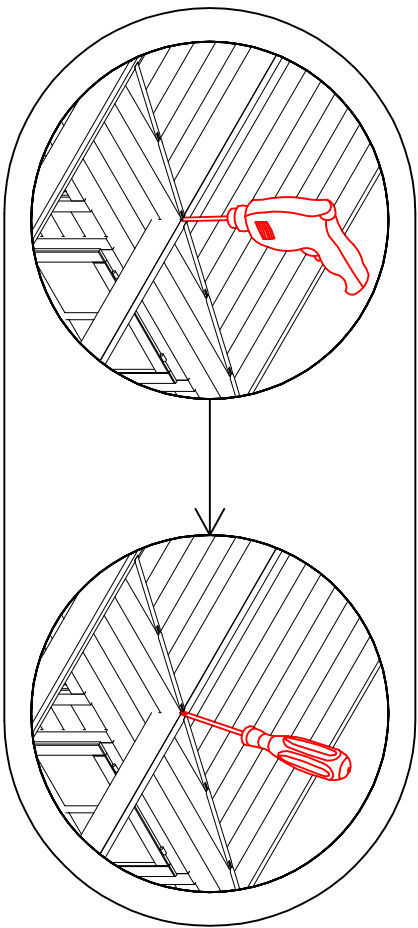
MM 018 3.5x3		350x300 cm			BE 2015	-Date-
		19 mm 2015.06.03				
Degree <74°		Dimensions, mm			Pos.	Quantity
		A	B	C		
		3500	19	100	7	1
		3500	19	100	8	21
		3000	19	100	10	22
		490	1800		21	3



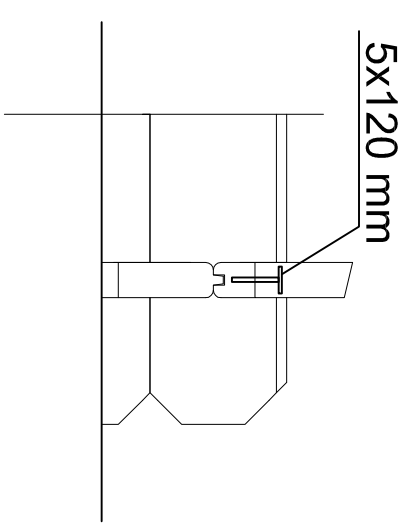
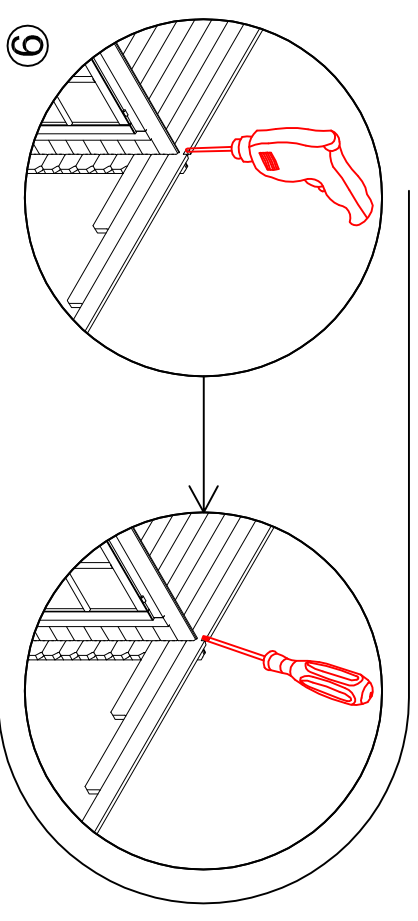
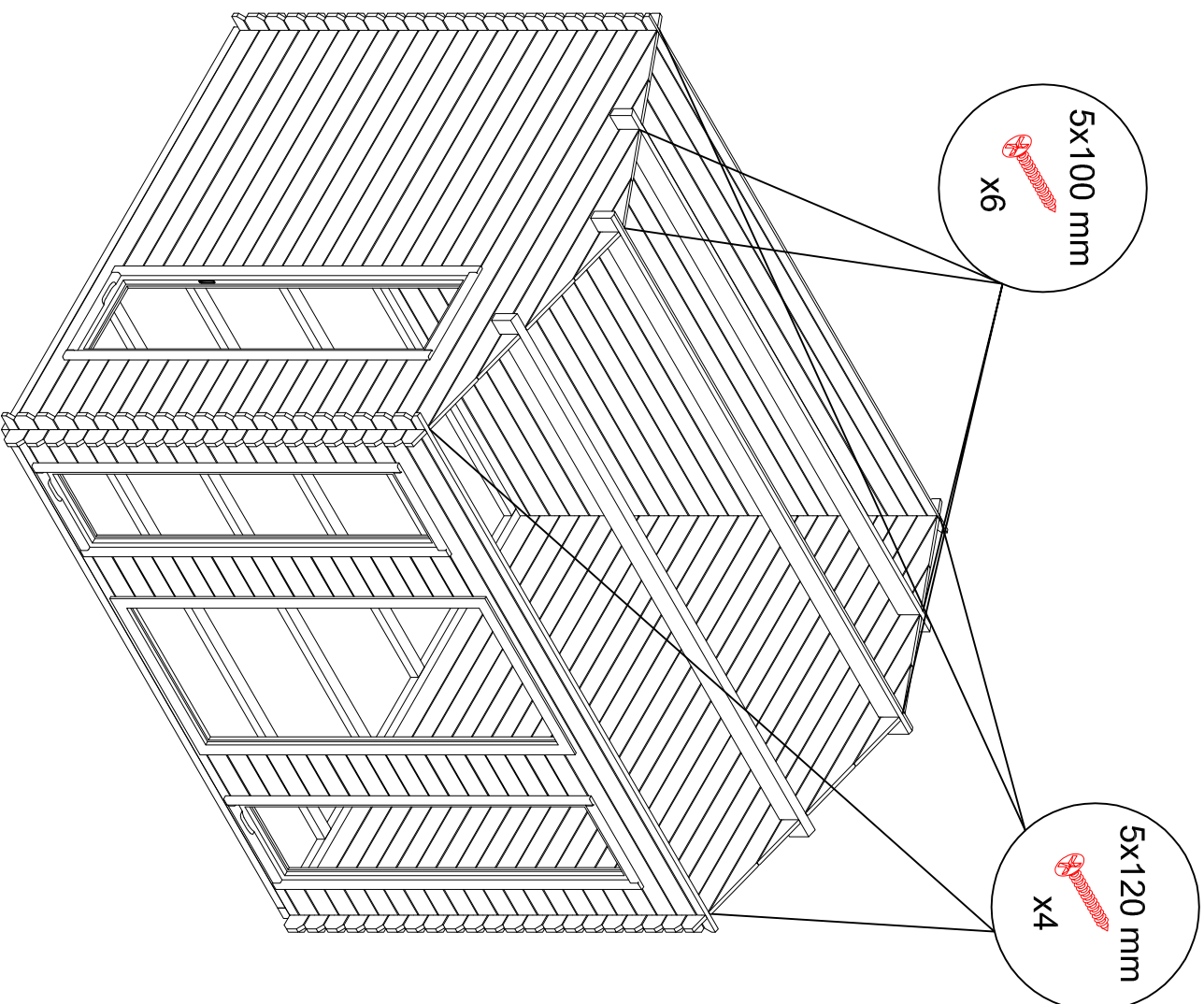
MM 018 3.5x3		350x300 cm			BE 2015	-Date-
		19 mm 2015.06.03				
Degree <math><74^\circ</math>		Dimensions, mm			Pos.	Quantity
		A	B	C		
		3500	19	50	9	2
		3000	494		F-2,4	2



MM 018 3.5x3		350x300 cm			BE 2015	-Date-
		19 mm 2015.06.03				
Degree <74°		Dimensions, mm			Pos.	Quantity
		A	B	C		
		3500	40	110	13	2
		3500	40	110	14	1

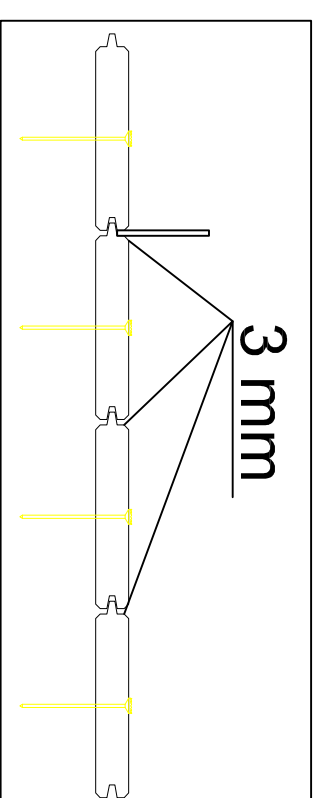
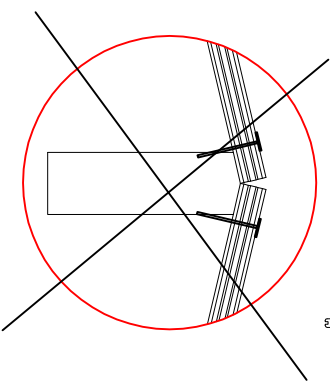
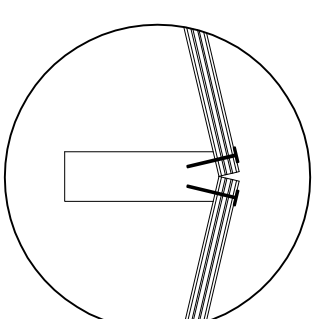
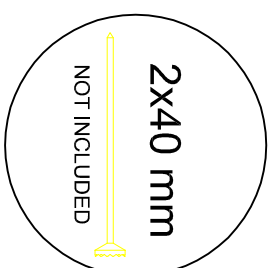
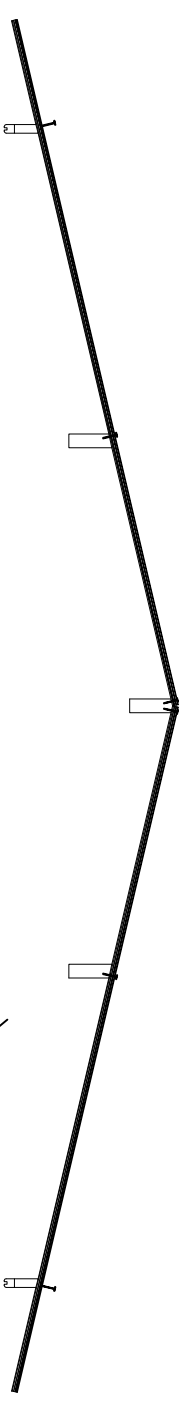
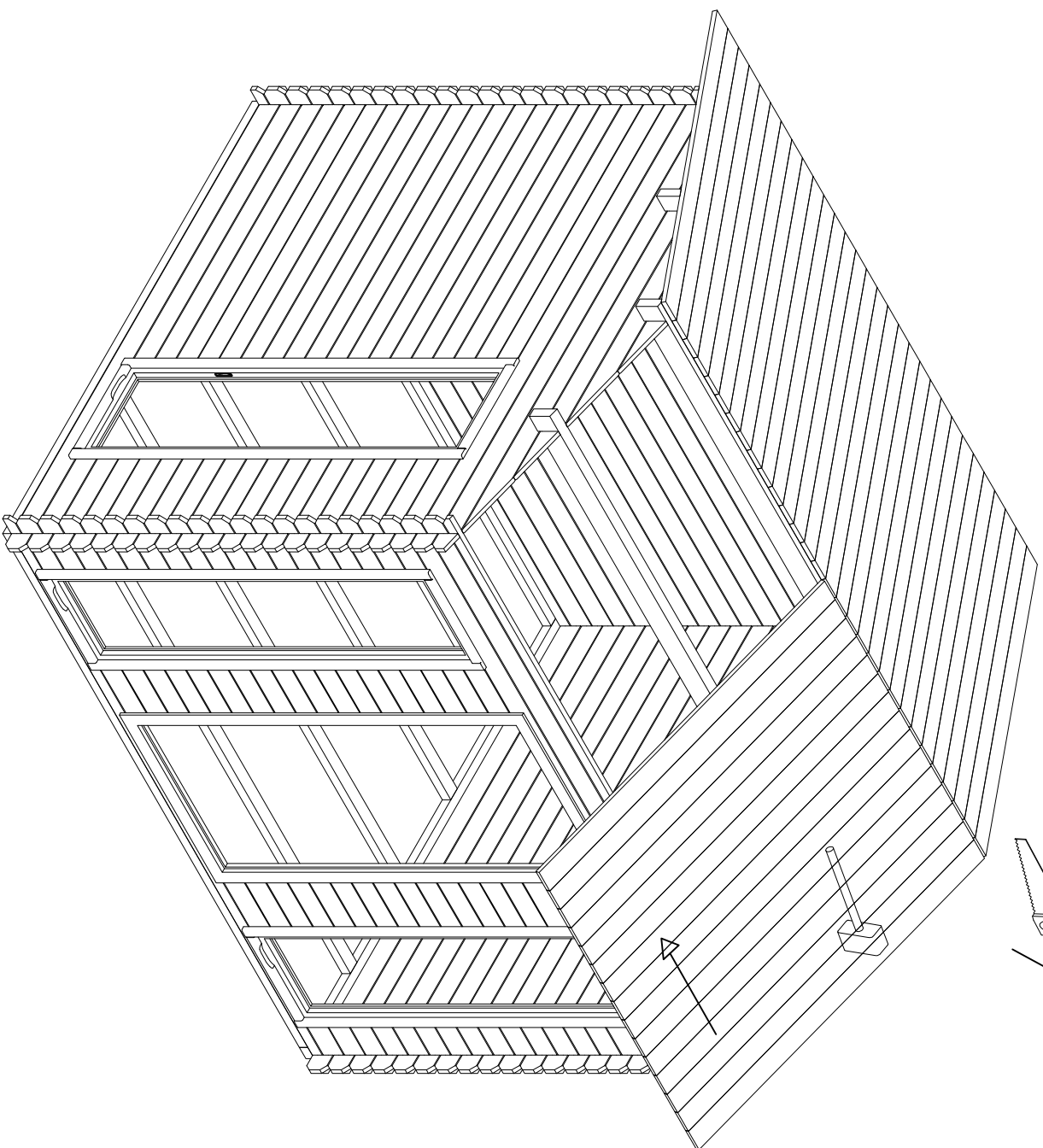


MM 018 3.5x3



⑨

If the last board needs
to be placed lengthwise cut



MM 018 3.5X3

350x300 cm
19 mm 2015.06.03

BE 2015

-Date-

Degree <math><74^\circ</math>

Dimensions, mm

Pos.

Quantity

A

B

C

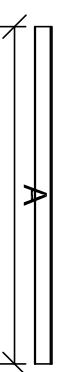
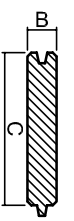
1830

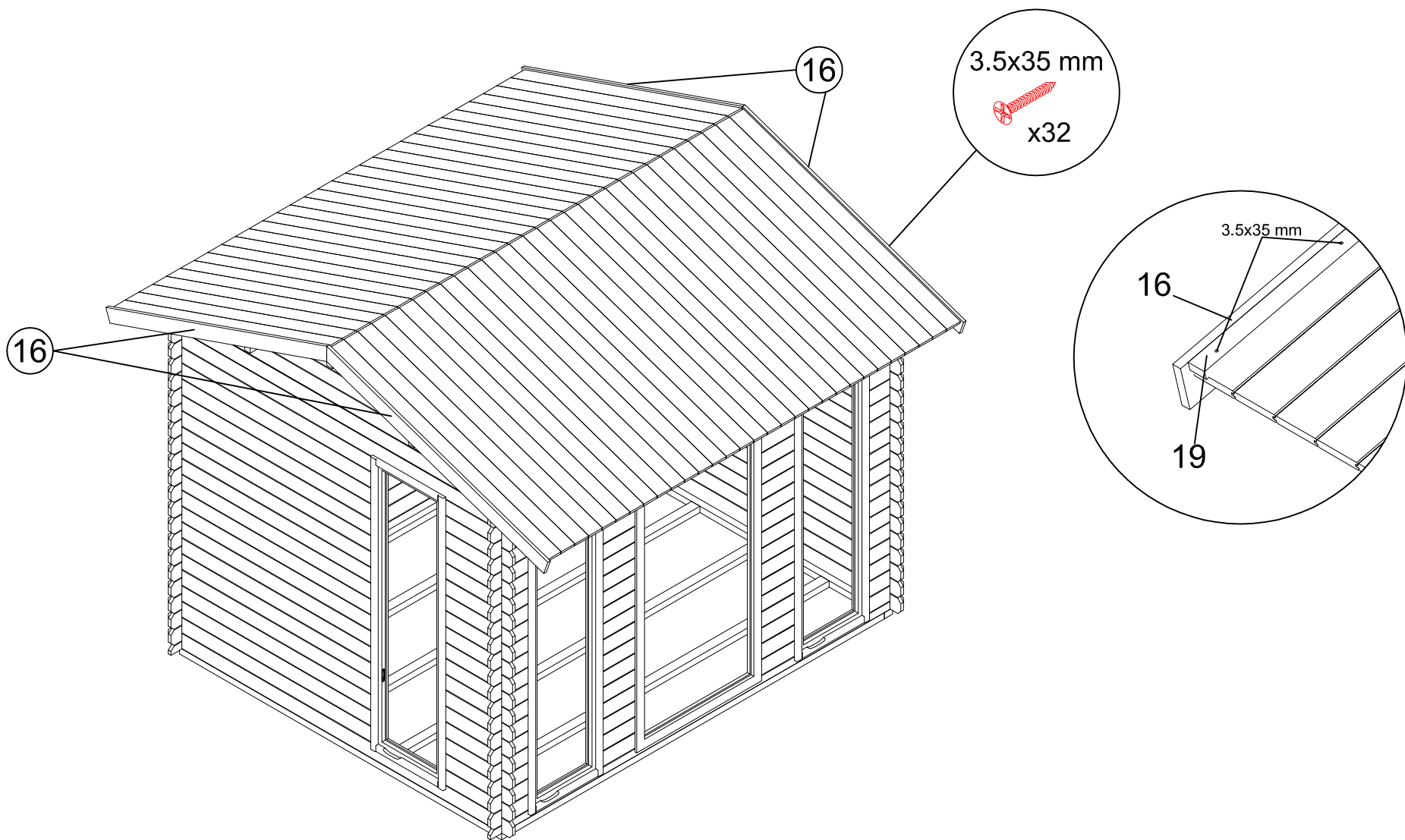
19

100/86

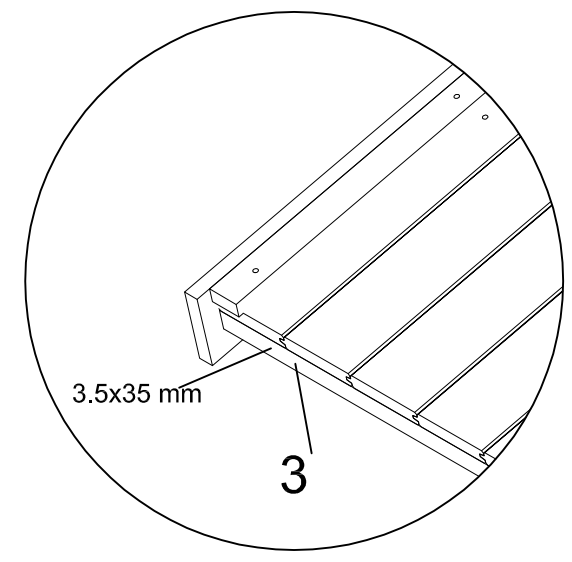
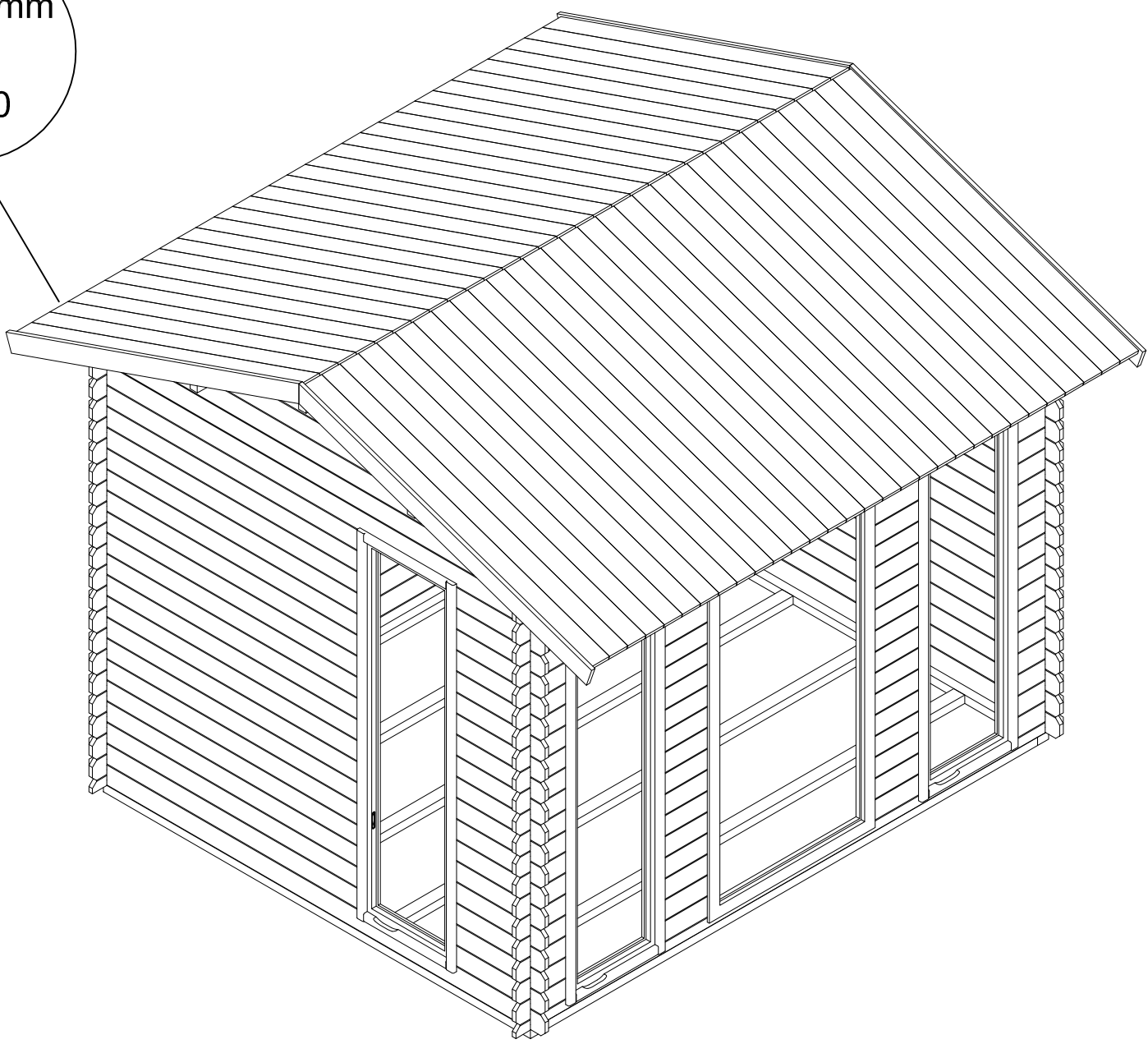
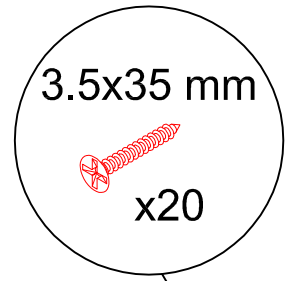
15

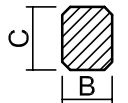
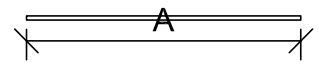
70/82

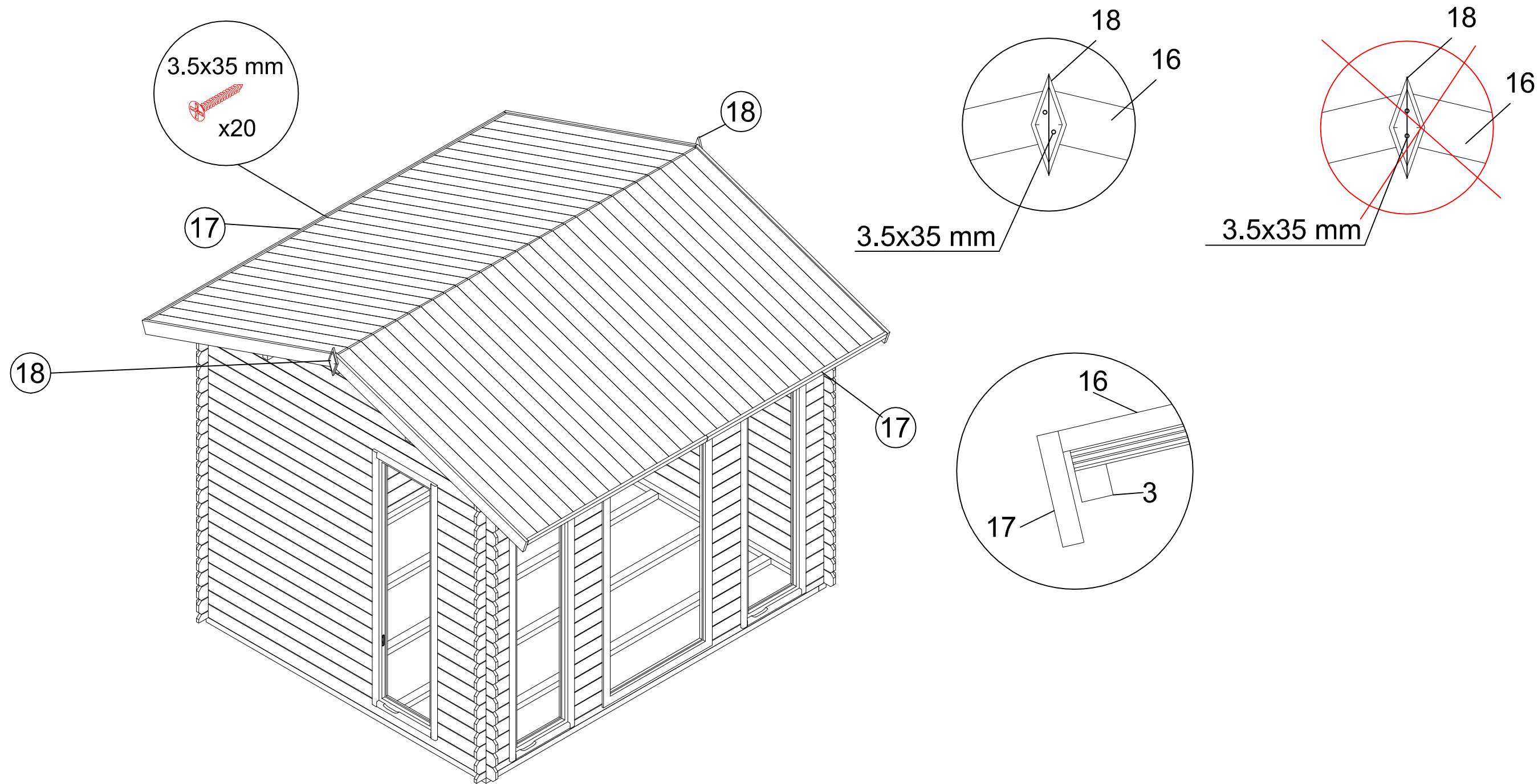


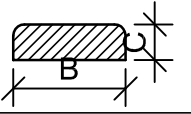
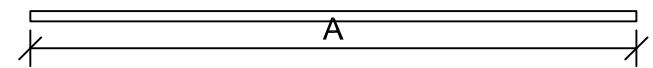
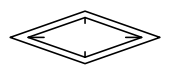


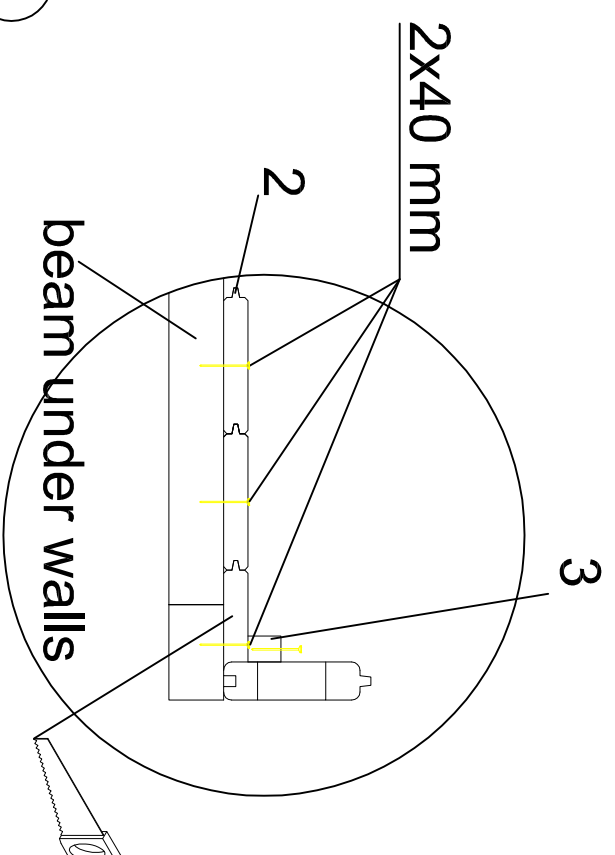
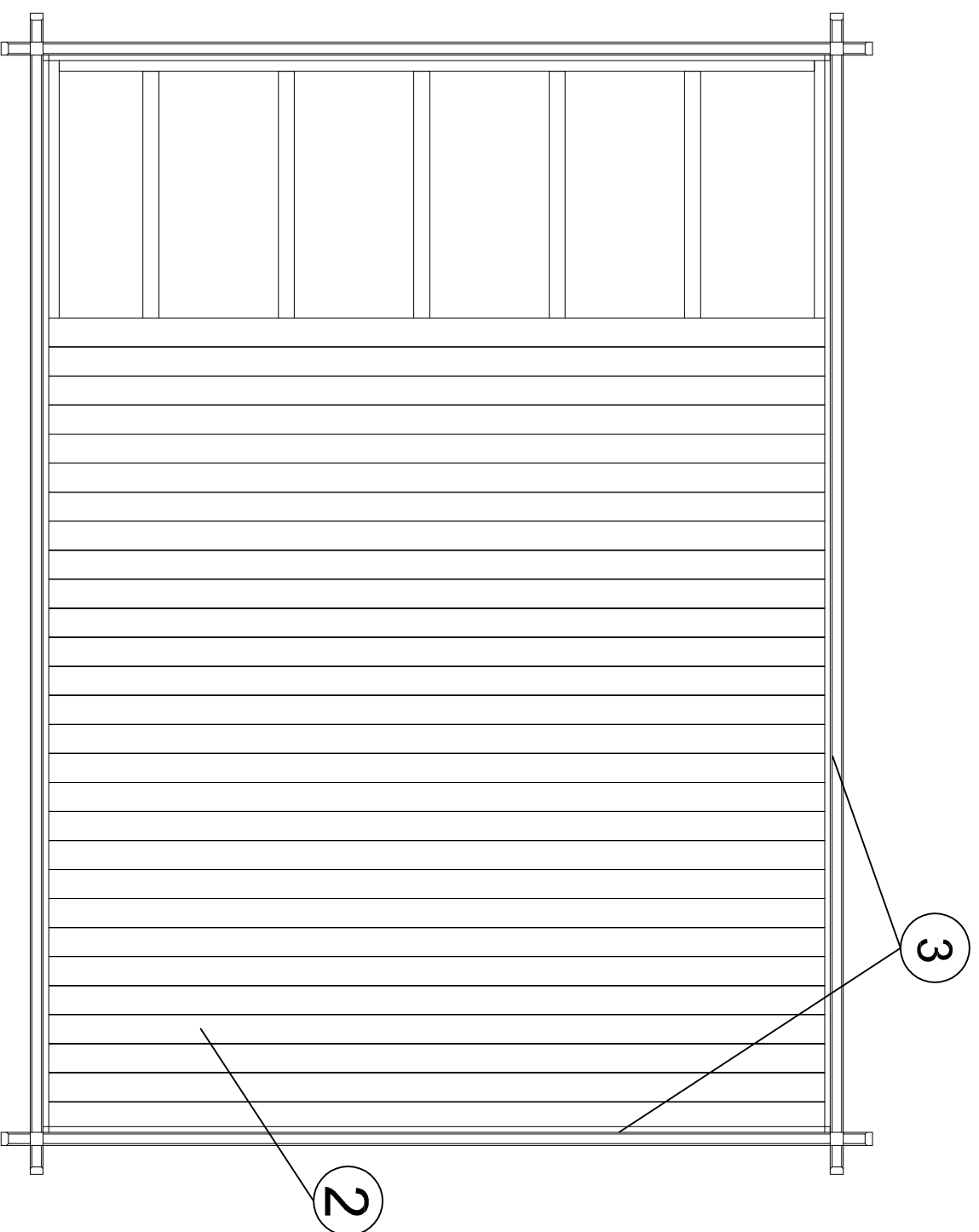
MM 018 3.5x3		350x300 cm			BE 2015	-Date-
		19 mm 2015.06.03				
Degree <74°		Dimensions, mm			Pos.	Quantity
		A	B	C		
		1857	19	90	16	4
		1857	19	40	19	4



MM 018 3.5x3			350x300 cm		BE 2015	-Date-
			19 mm 2015.06.03			
Degree <74°		Dimensions, mm			Pos.	Quantity
		A	B	C		
			19	24	3	~ 25 meters



MM 018 3.5x3			350x300 cm		BE 2015	-Date-
			19 mm 2015.06.03			
Degree <74°		Dimensions, mm			Pos.	Quantity
		A	B	C		
		1750	19	40	17	4
		200	100		18	2



If the last board needs
to be placed lengthwise cut

MM 018 3.5X3

350x300 cm
19 mm 2015.06.03

BE 2015

! date!

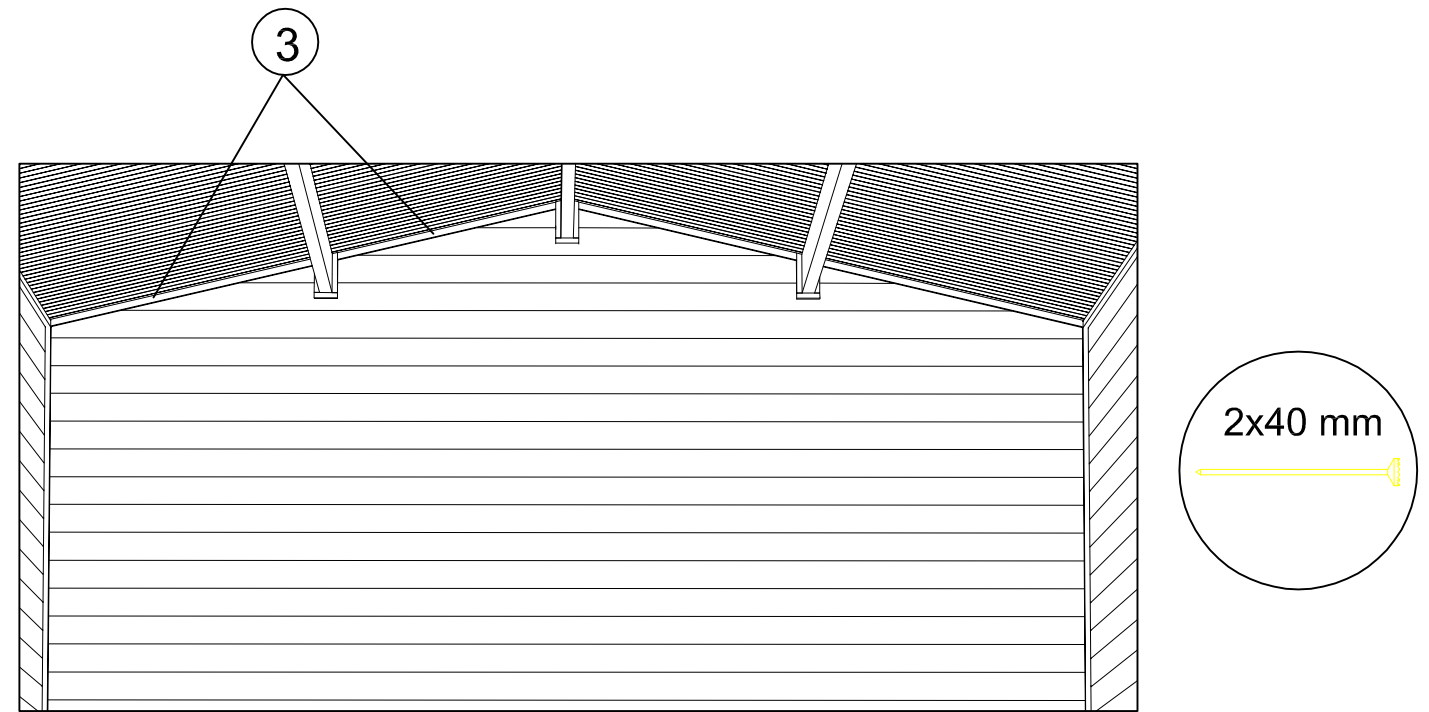
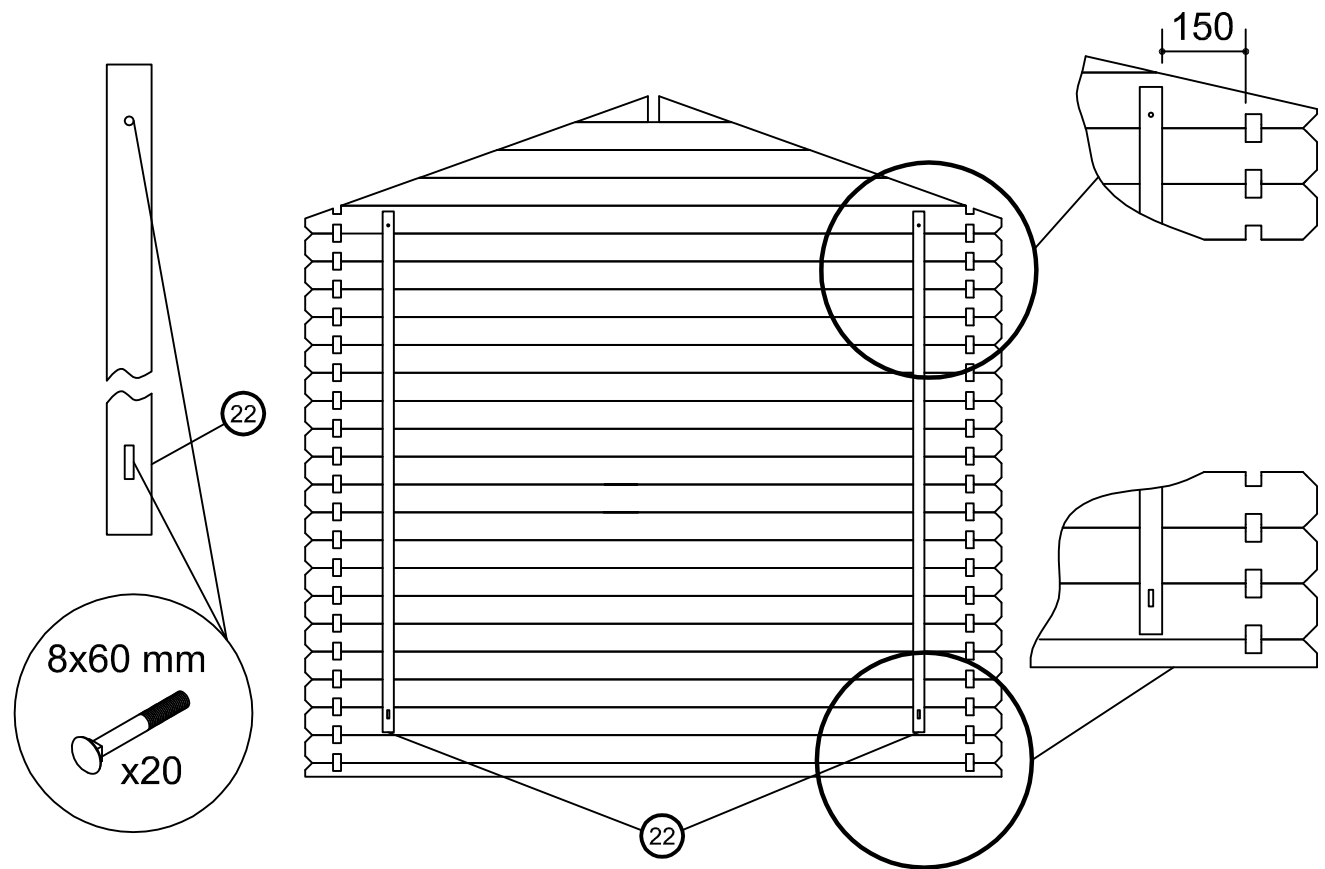
Degree <math><74^\circ</math>

Dimensions, mm

Pos.

Quantity

		A			B			C			Pos.			Quantity		
		2792			19			100/86			2			33/39		
		19			24			3			~ 25 meters					



MM 018 3.5x3		350x300 cm			BE 2015	-Date-
		19 mm 2015.06.03				
Degree <74°		Dimensions, mm			Pos.	Quantity
		A	B	C		
			19	24	3	~ 25 meters
		1880	19	40	22	4